

## SPECIFICATIONS

Electric control part:

Input Voltage:100-240Vac 50/60Hz

Duty cycle:10%MAX 2min on 18min off

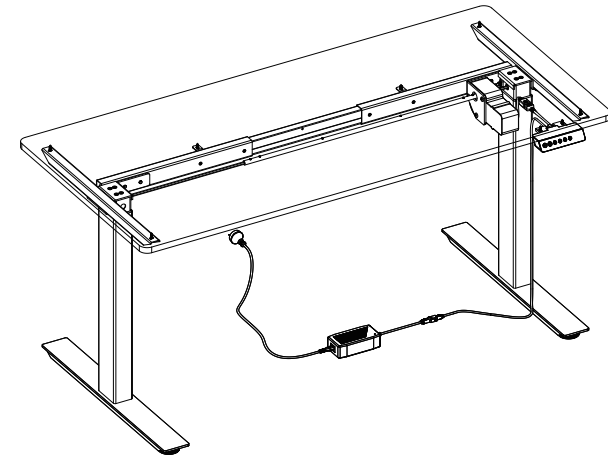
Desk frame part:

Dynamic load:100KG

The maximum static load:120KG

### Safety warning

- 1.Please read this manual carefully before use.
- 2.The product must be connected to the correct power supply.
- 3.For any accessories connected to the control box, the plug type and electrical characteristics must conform to its specifications.
- 4.Indoor use only.
- 5.If the transformer's external cable is damaged and need to be replaced,new accessory will be provided by the manufacturer or its service agent.

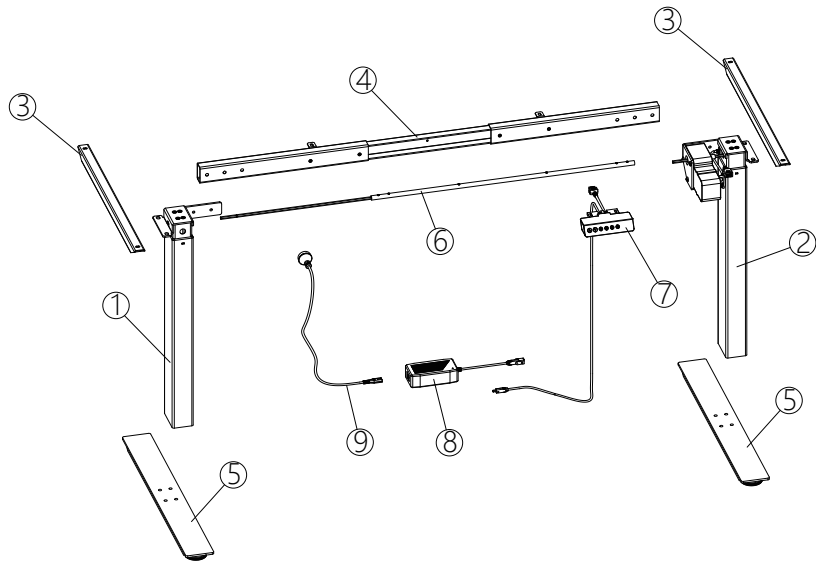


---





LAMI-ET02 Assembly Instruction

---

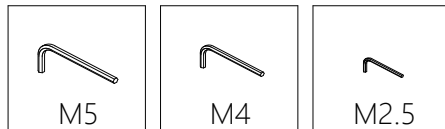
# INSTALLATION INSTRUCTION



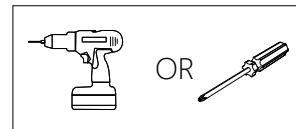
## HARDWARE INCLUDED

A   QTY:10	B   QTY:8	C   QTY:2	D   QTY:6
			
M8*10	M8*20	M4.2*16	M6*16

## TOOLS INCLUDED



## TOOLS REQUIRED

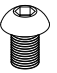


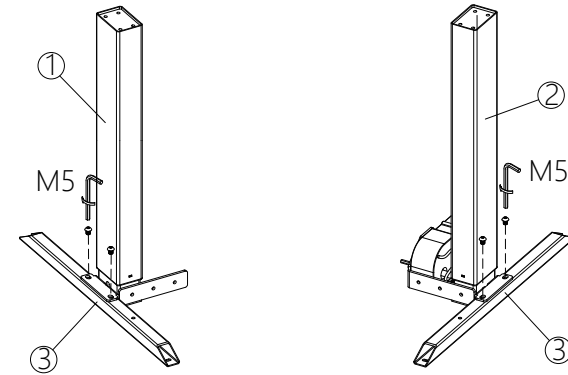
# INSTALLATION INSTRUCTION




**Attention:** Do not tighten the screws until all of them are in right positions.

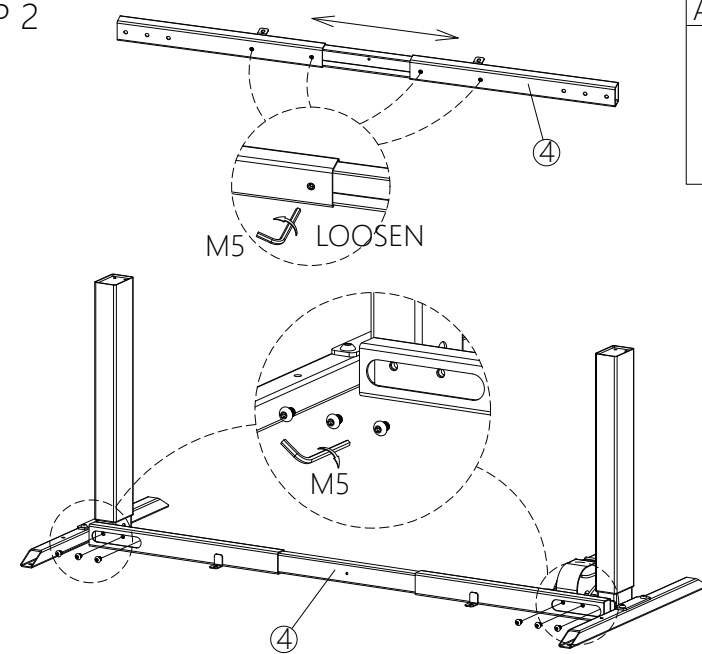
## STEP 1

A	QTY:4
	
M8*10	



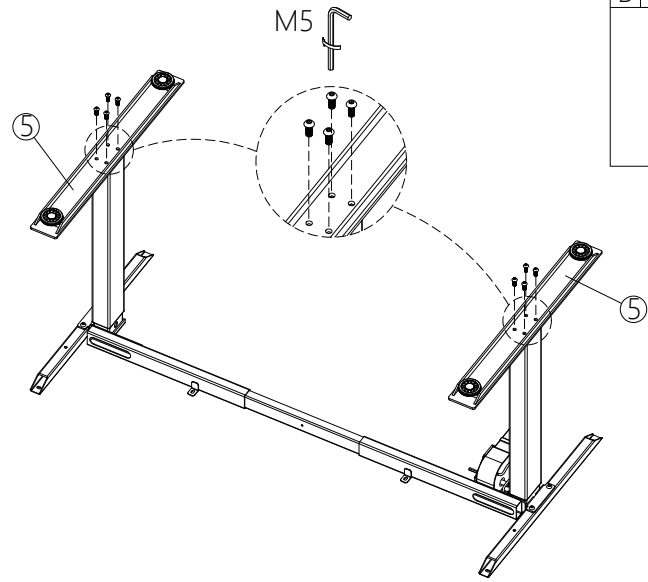
## STEP 2

A	QTY:6
	
M8*10	



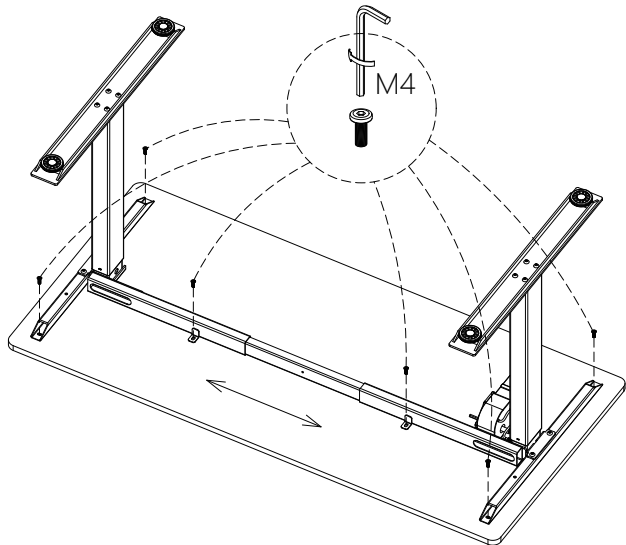
# INSTALLATION INSTRUCTION

STEP 3



B	QTY:8
M8*20	

STEP 4



D	QTY:6
M6*16	

## DIRECTIONS FOR USE

### Advanced Function Settings

Limited height setting: Press "▲" and "▼" key for 5 seconds till heard a bee sound , limited height setting success.  
(minimum limited height < 96 , maximum limited height > 97).  
Cancel the function, run to the limit height, press "▲" and "▼" again for 5 seconds, hear the buzzer sound, limited height Cancel.

Lock and unlock: Press "▲" and "S" key for 5 seconds , Screen display "LOC" , system locked up, Press "▼" and "S" key for 5 seconds, screen display "LOC" turn to number , system unlocked.

S-1	Metric and Inch exchange	Click "M4" Key	▲ 0 Metric ▼ 1 Inch
S-2	Reservation function	Click "M4" Key	▲ 0 ▼ 1 8
S-3	up anti collision sensitivity (Current detection)	Click "M4" Key	▲ 0 shut down ▼ 1 The most insensitive 8 The most sensitive
S-4	down anti collision sensitivity (Current detection)	Click "M4" Key	▲ 0 shut down ▼ 1 The most insensitive 8 The most sensitive
S-5	Basement height	Click "M4" Key	Use ▲ or ▼ adjust the basement height
S-6	Memory key operation	Click "M4" Key	▲ 0 Long pressing desk running, hands off desk stop running ▼ 1 Click desk running, second click to stop running
S-7	Overheat protection	Click "M4" Key	▲ 0 shut down ▼ 1 Turn on (Continuous operation for two minutes, error HOT)
S-8	Reservation function	Click "M4" Key	▲ 0 ▼ 1 2 3 4 5 6 7 8

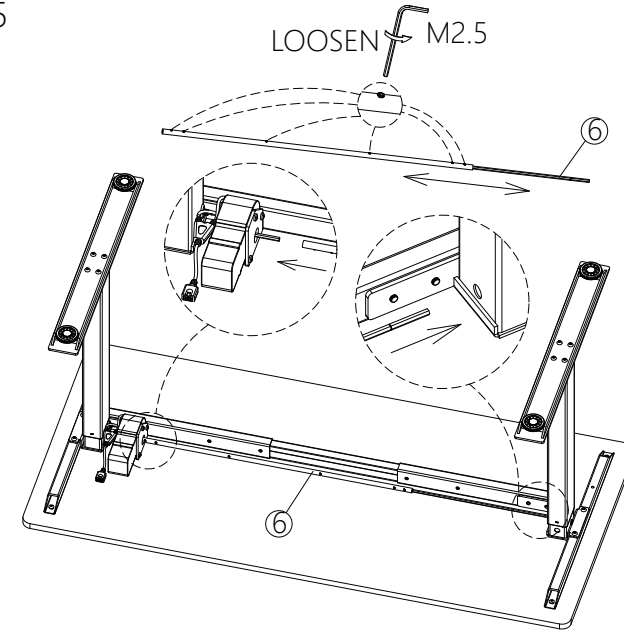
Press M4 key till hear the second "di" sound ( around 10s ) . use ▲ or ▼ key to choose

Press M4 to return to the numerical display interface Set up successfully

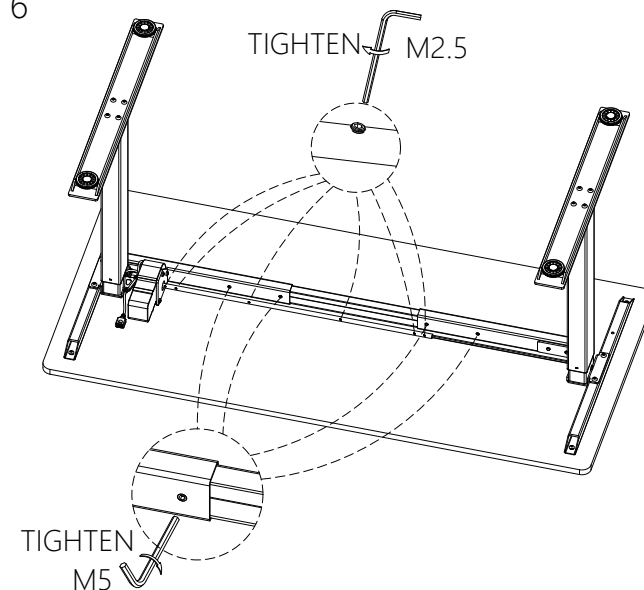
Set up multiple functions Press "m3" to return Menu "s - \*" interface

## INSTALLATION INSTRUCTION

### STEP 5

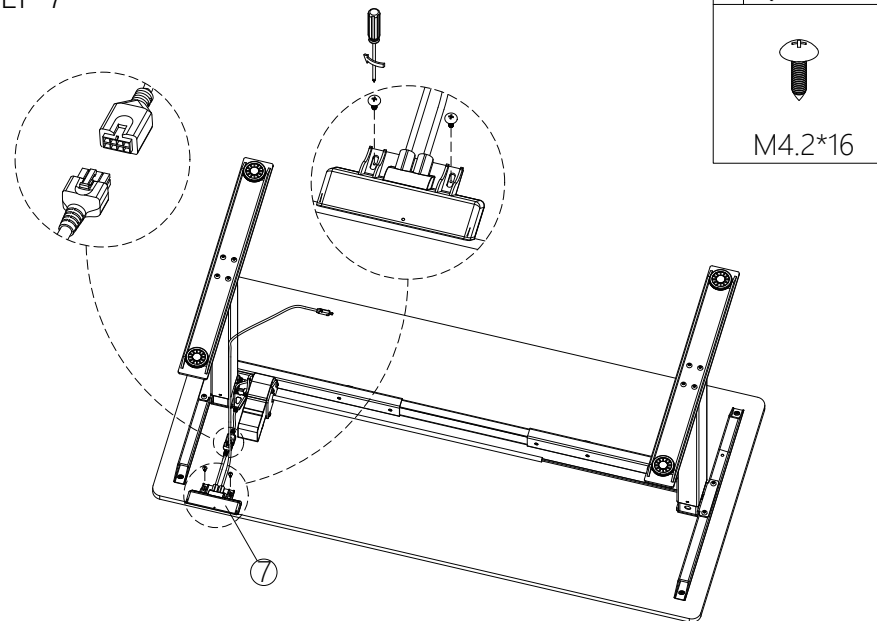


### STEP 6

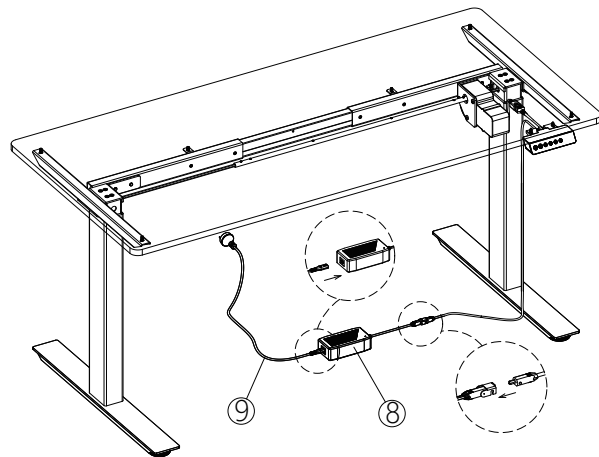


## INSTALLATION INSTRUCTION

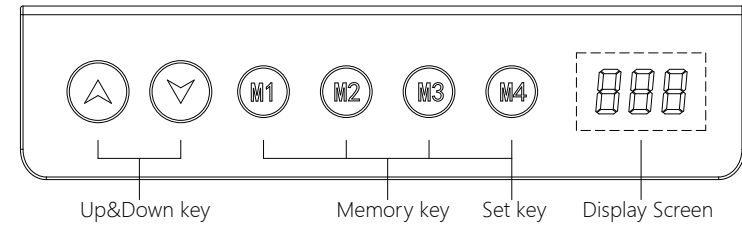
### STEP 7



### STEP 8



## DIRECTIONS FOR USE



The whole handset surface is a button panel. If there is no press within 30 seconds, the screen is locked and M1/M2/M3/M4 keys are locked correspondingly, you should press Up or Down key first, it can be used when the display screen light up.

#### ■ Display Screen

Display the height value of the desk.

#### ■ Up & Down Keys

Please keep pressing UP/DOWN key to adjust desk height until you get an optimum height.

#### ■ Memory Key M1/M2/M3/M4

After setting memory keys, the desk can lift automatically to memory height.

#### × How to set memory mode

Please keep touching M1/M2/M3/M4 key for 5 seconds, until "di" sound, the memory height is successfully saved. Then light touch M1/M2/M3/M4, the desk moves to memory height automatically.

#### ■ Set Key(M4)

Press the "S" key when internal parameters need to be set.

#### ■ Initialization

1. When "RST" is on the display screen, press the "∇" button until the desk frame reaches its lowest point. After hearing the "di" sound and desk frame rebounds, initialization is completed.

(P.S. The button cannot be released during this operation, otherwise the initialization will fail)

2. Forced initialization: Press the "∇" button until the desk frame reaches its lowest point, then release the button and press it again for about 5 seconds until hear the "di" sound and desk frame rebound, and the initialization is completed.

3. Restore the factory settings: When new controller is changed or the parameters need to be restored to the factory settings, press the "∇" and "▲" buttons simultaneously, you will hear the first "di" sound after about 5 seconds and second "di" sound after 10 seconds. When the display screen shows "RST", please operate refer to the No.1 item.

#### ■ Safety Function

When the desktop is on the rise or down, encountered reverse resistance, the desk will rebound.

#### ■ Handset shows error code and solution

Error code	Fault cause	Solution
E01,E06,E07	power fault	change power
E04	handset fault	Unplug and replug the cable of hand set
E05	Anticollision alert	Rebound reminder , normal condition
E08	desktop sloping	check the desktop
E11,E21,E40,E41	Connection cable failure	Check the connecting cable
E12,E22,E42,E43	controller fault	Exchange the controller
E14~E17,E24~E27	motor fault	change motor
E18,E28	overloading	reduce the loading
HOT	overtime operation	Automatic recovery after stop using for 20 minutes