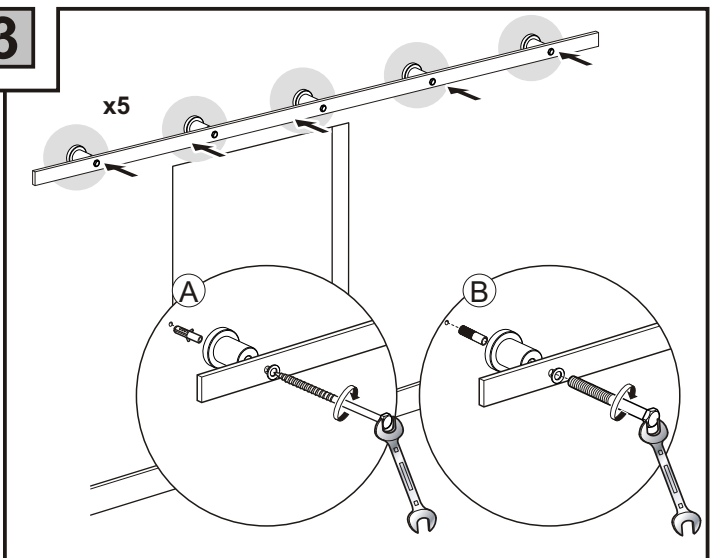
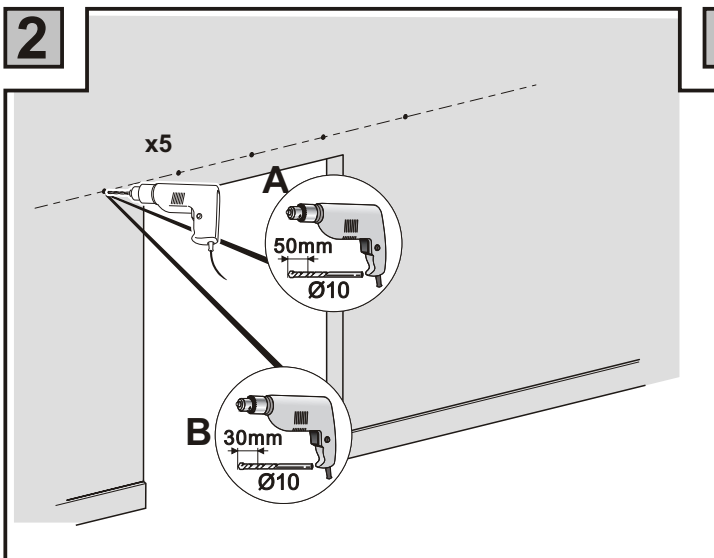
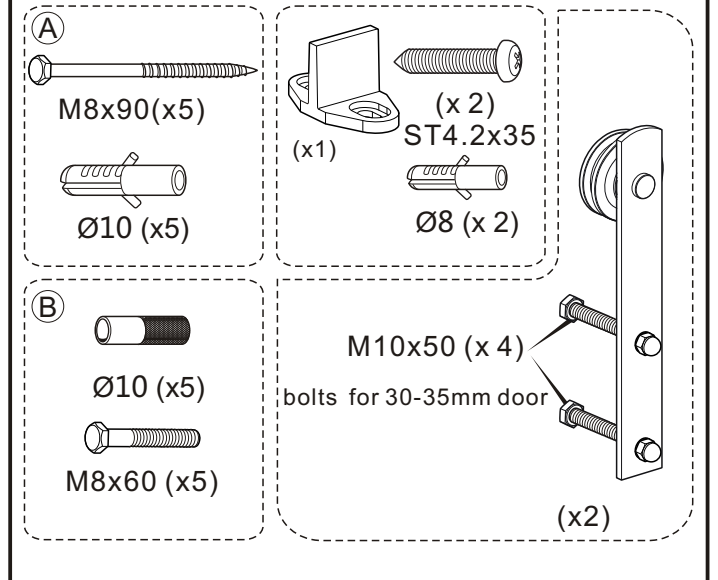
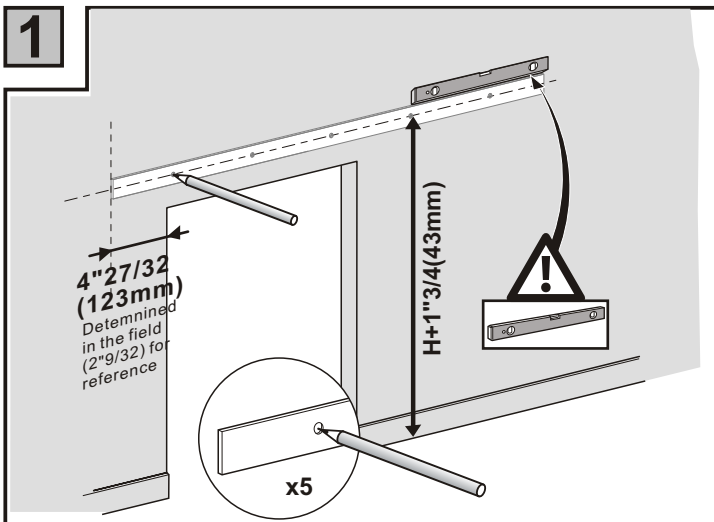
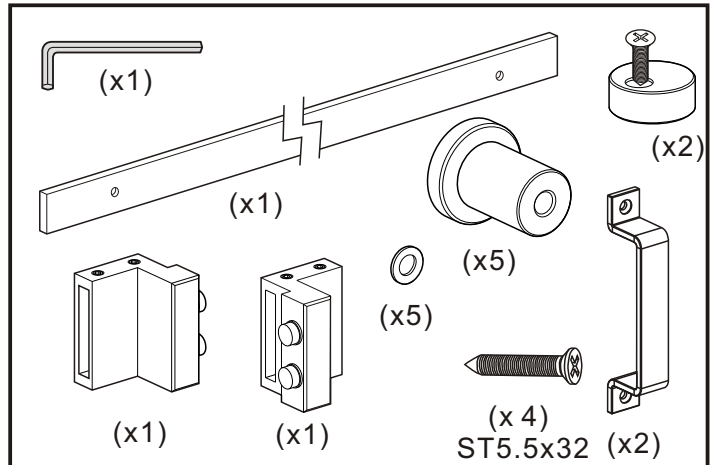
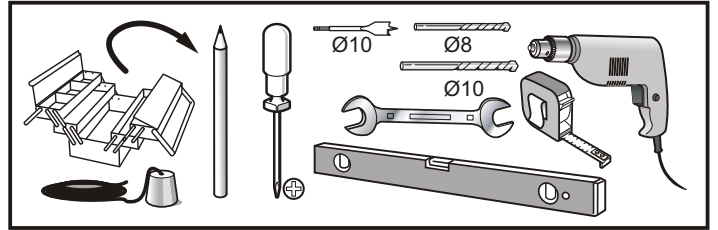
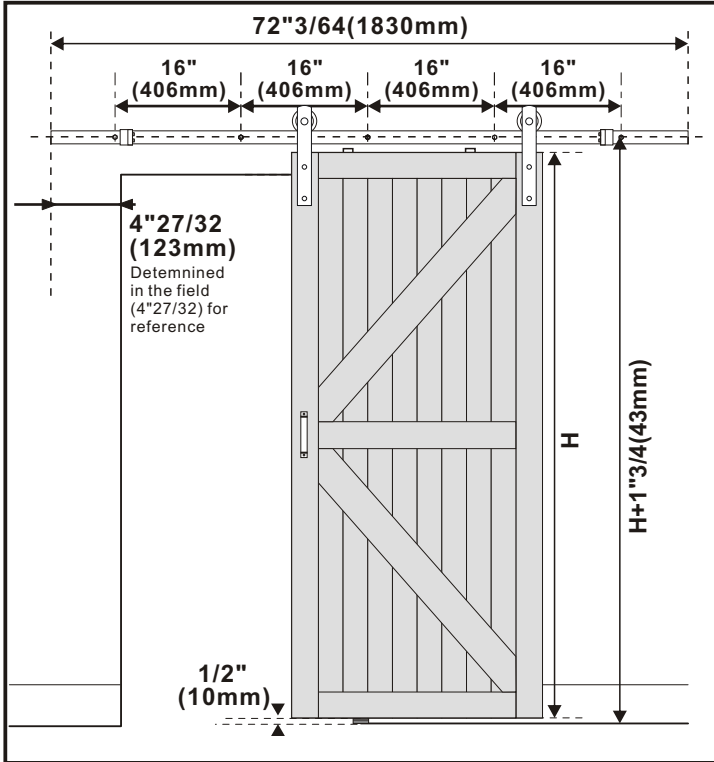
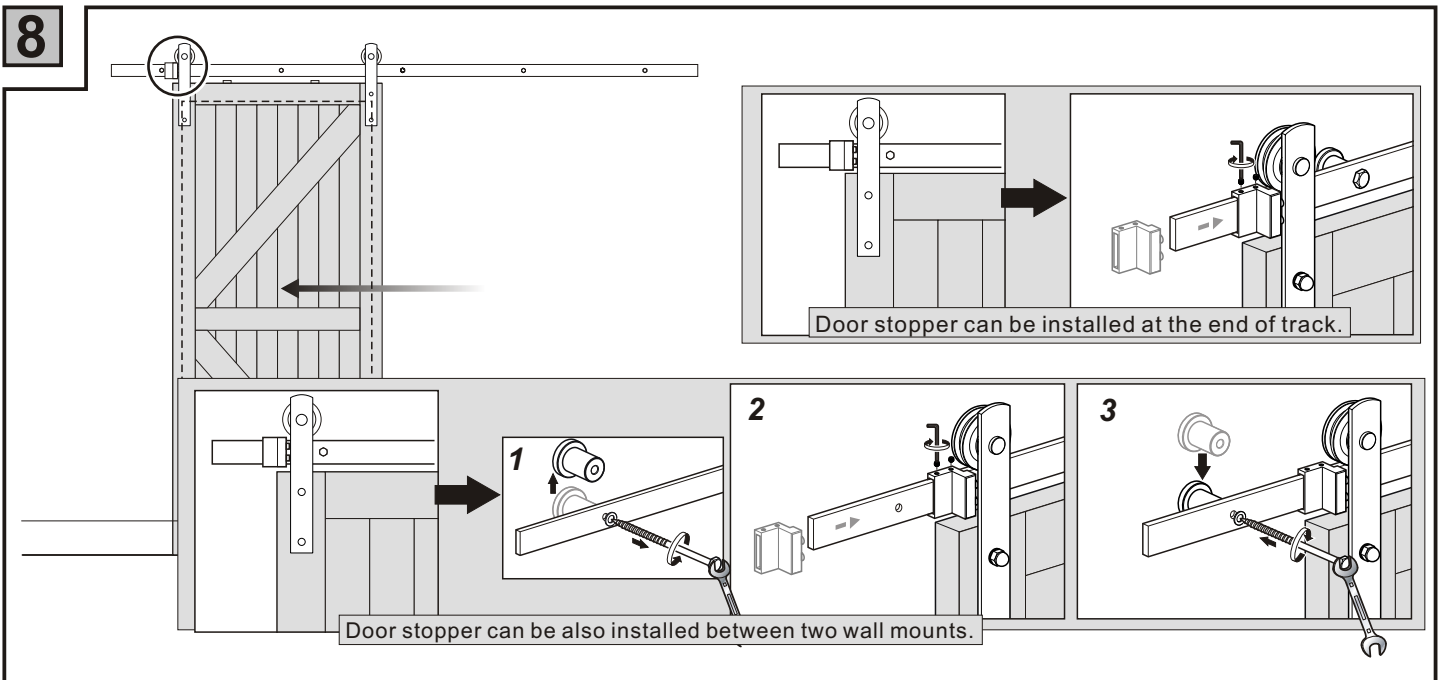
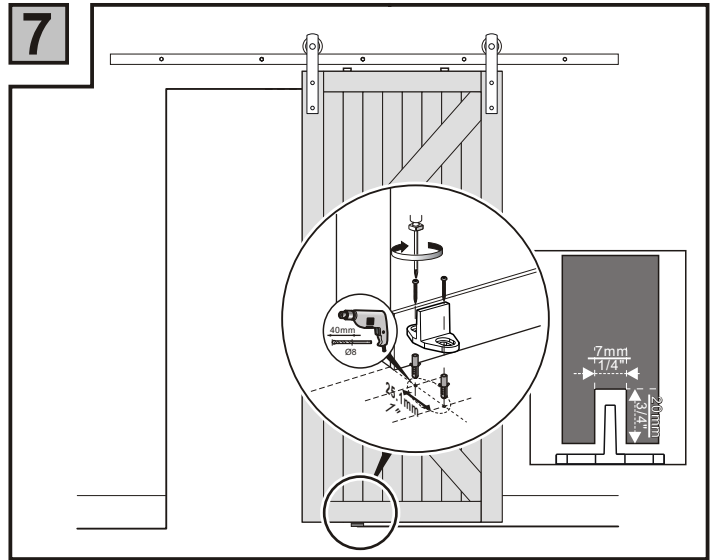
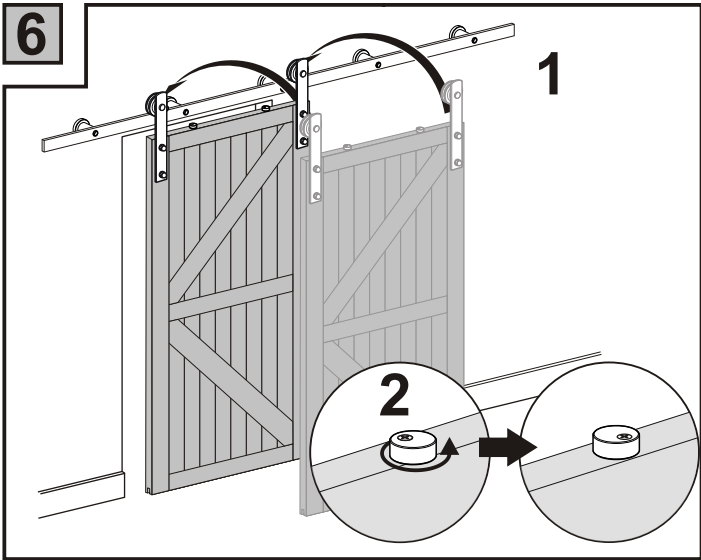
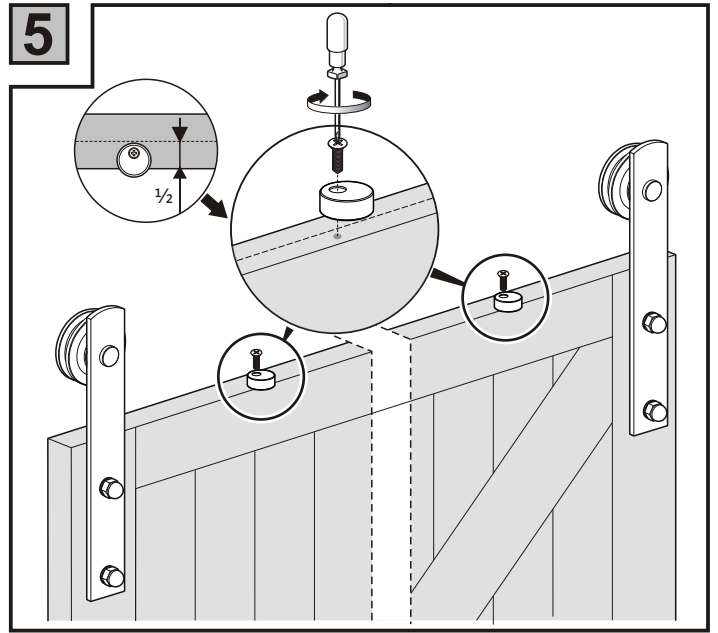
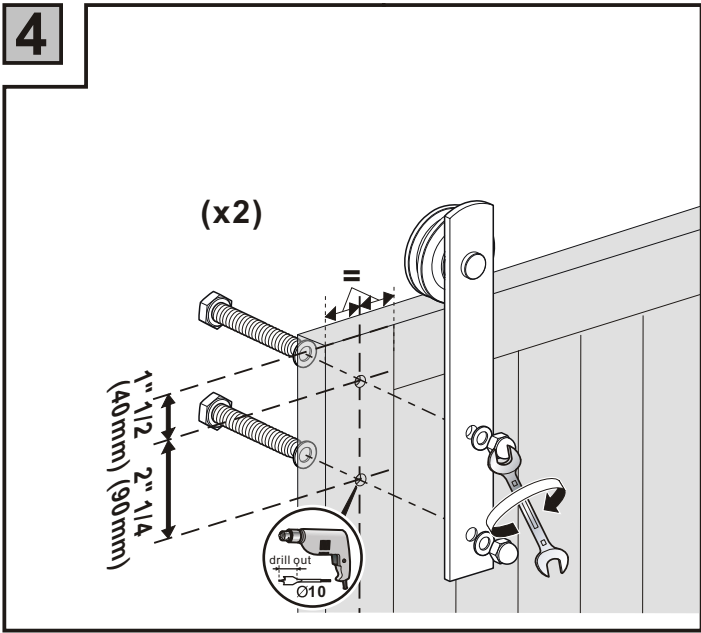
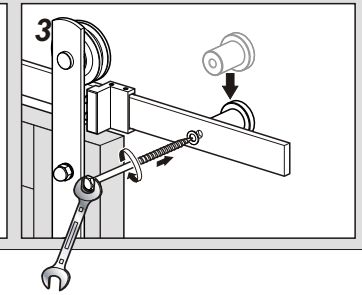
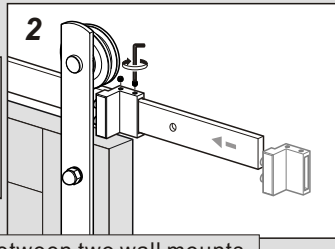
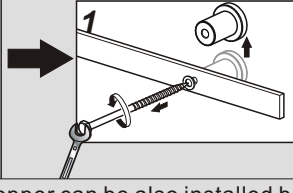
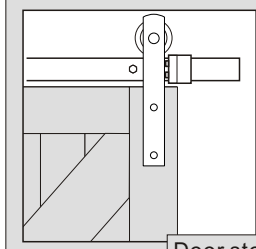
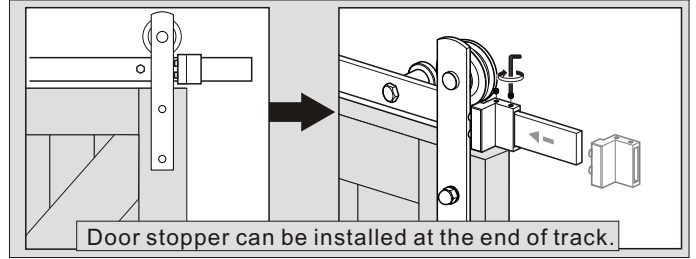
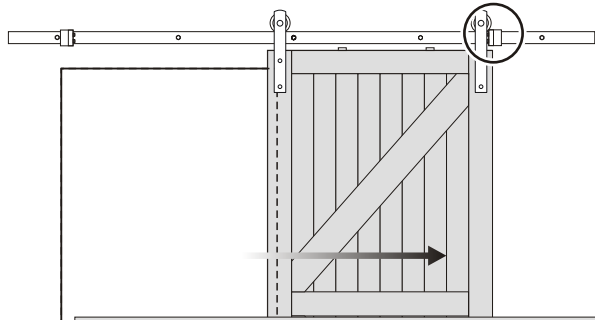


Installation Manual





9



Door stopper can be also installed between two wall mounts.

10

