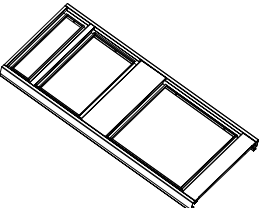
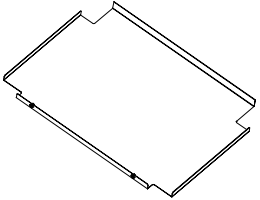
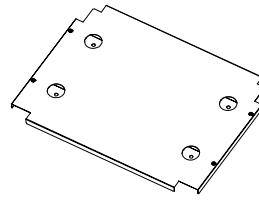
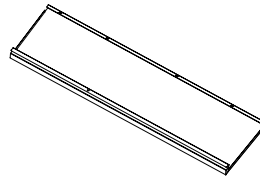
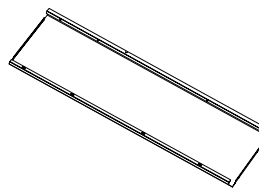
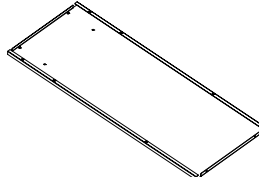
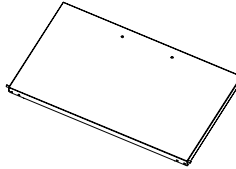
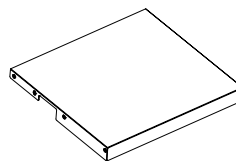
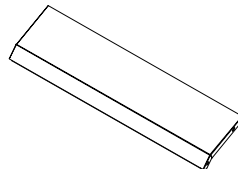
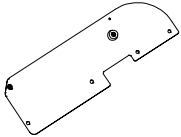
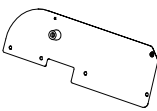
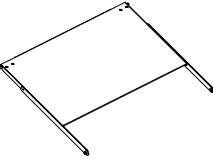
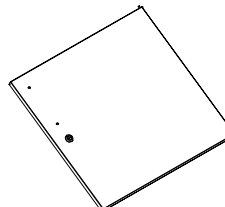
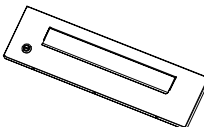
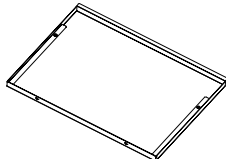
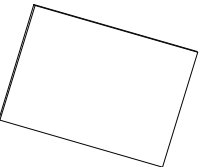
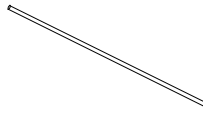

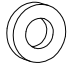
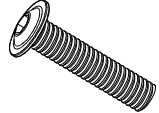
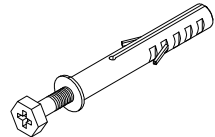
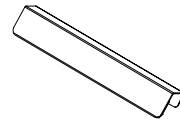
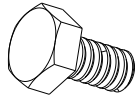


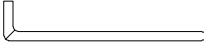
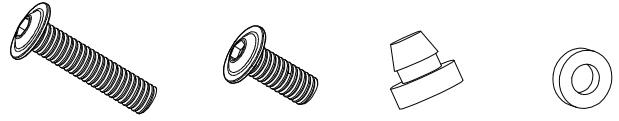
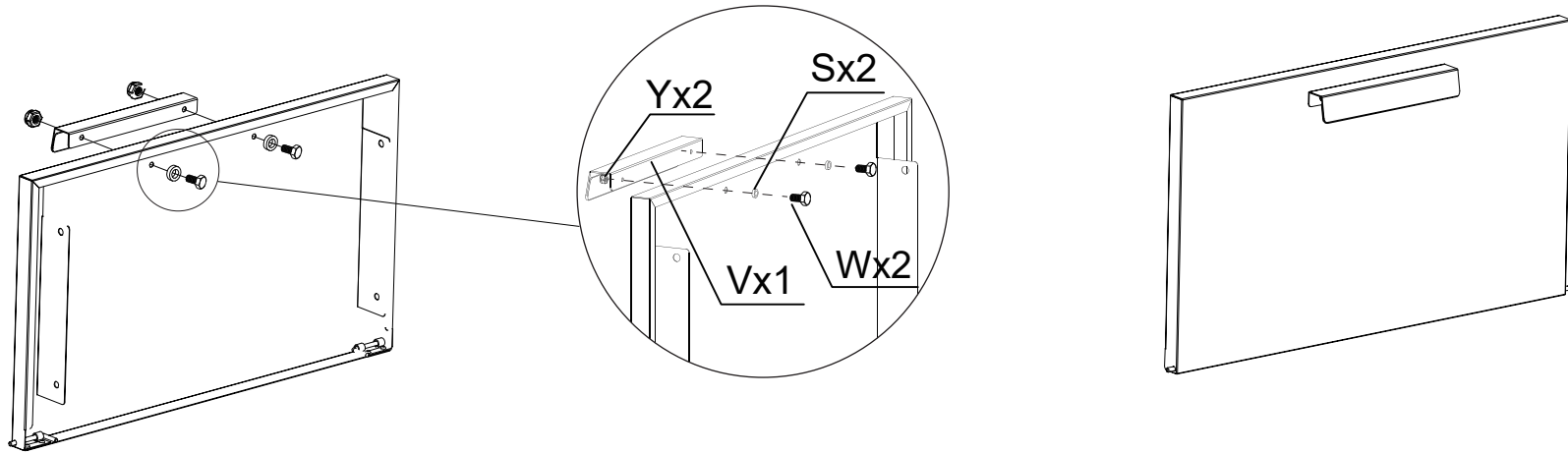
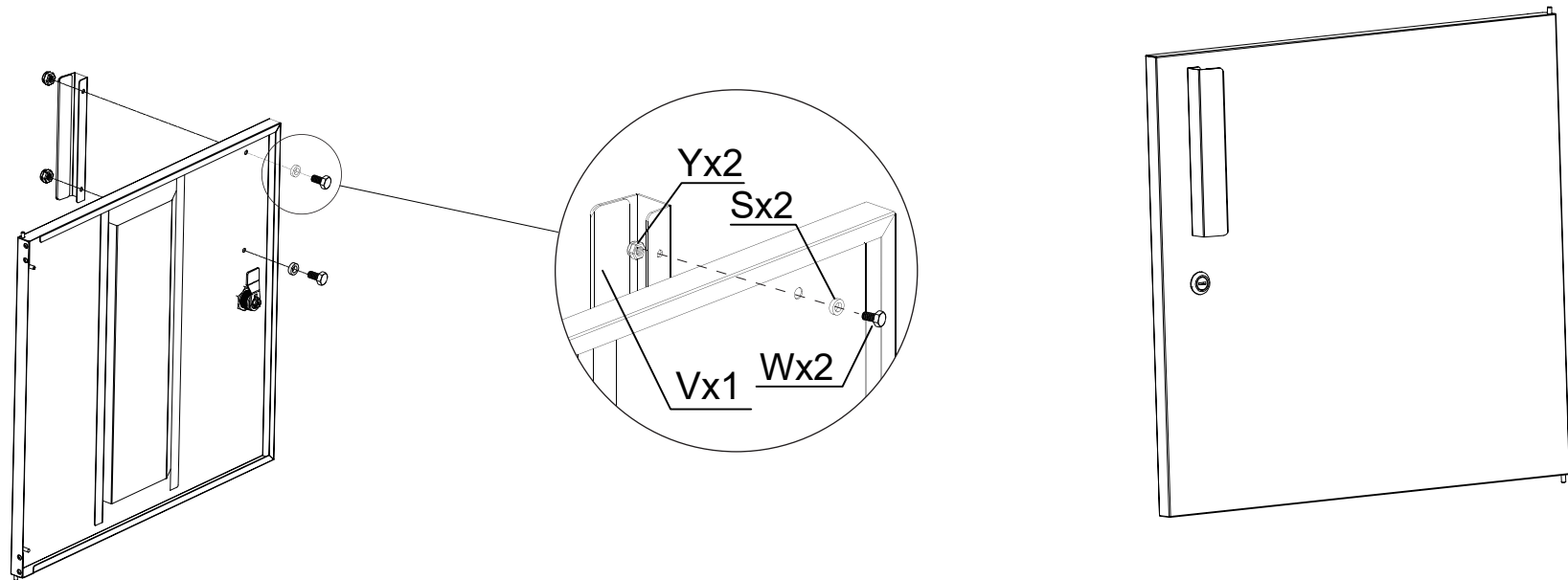


<p>Ax1</p> 	<p>Bx1</p> 	<p>Cx1</p> 	<p>Dx1</p> 	<p>Ex1</p> 	
<p>Fx1</p> 	<p>Gx1</p> 	<p>Hx1</p> 	<p>Ix1</p> 	<p>Jx1</p> 	
<p>Kx1</p> 	<p>Lx1</p> 	<p>Mx1</p> 	<p>Nx1</p> 	<p>Ox1</p> 	<p>Px1</p> 
<p>Qx1</p> 	<p>Rx32</p>  <p>M4x10mm</p>	<p>Sx8</p>  <p>φ7*2mm</p>	<p>Tx4</p>  <p>M4x16mm</p>	<p>Ux4</p> 	<p>Vx2</p> 
<p>Wx4</p>  <p>M4x8mm</p>	<p>Xx2</p>  <p>φ7*7mm</p>	<p>Yx4</p>  <p>M4</p>	<p>Zx1</p> 	<p>SPARE PART</p>  <p>X2 X2 X2 X2</p>	

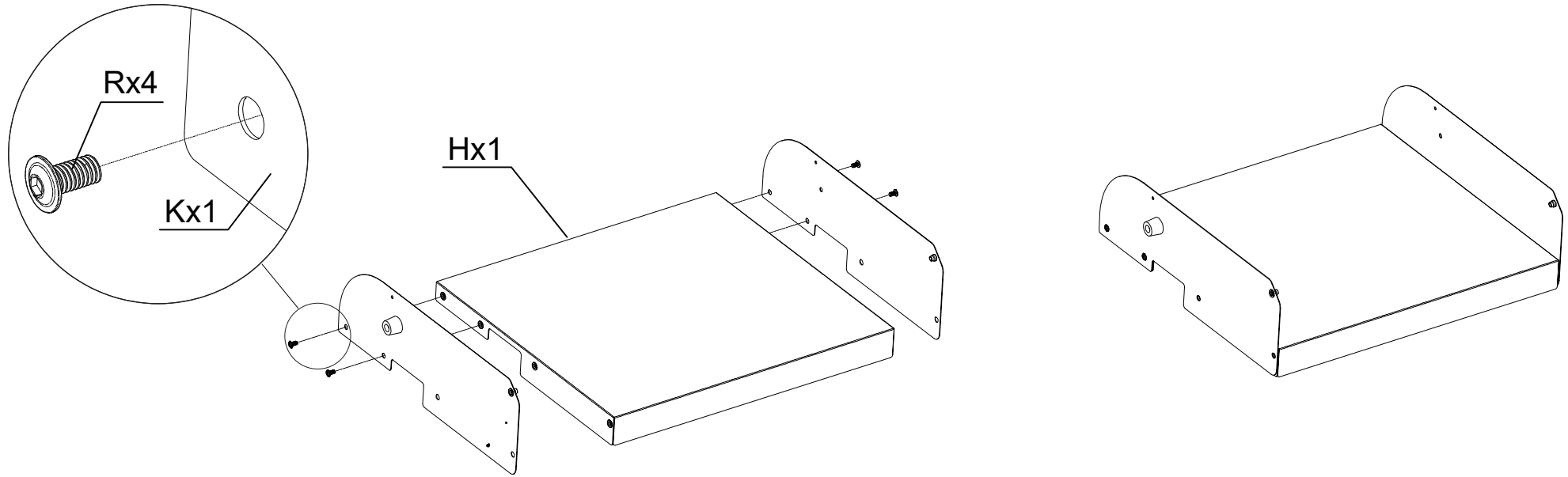
STEP 1



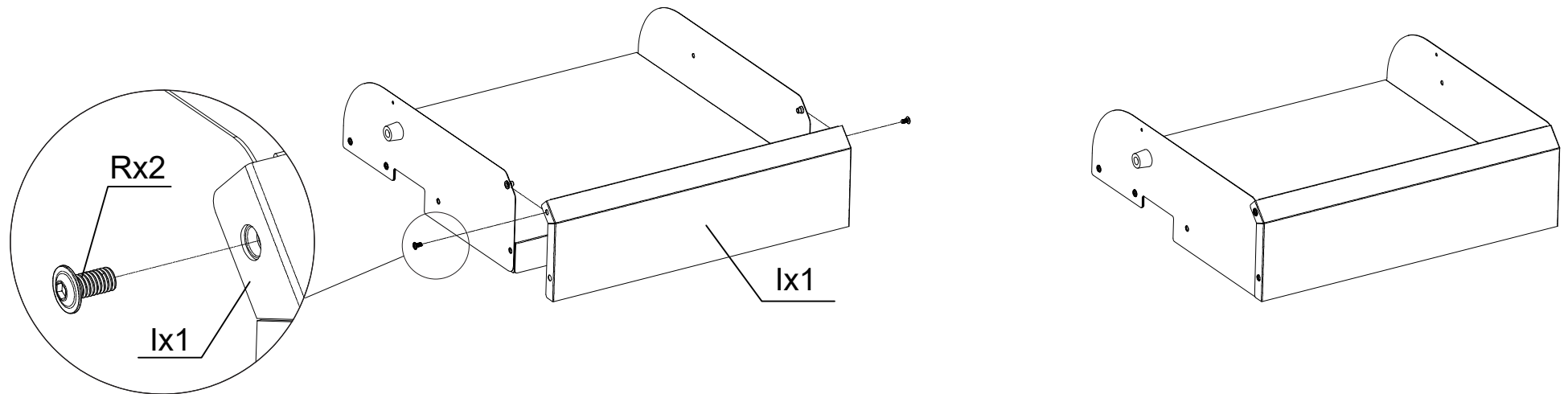
STEP 2



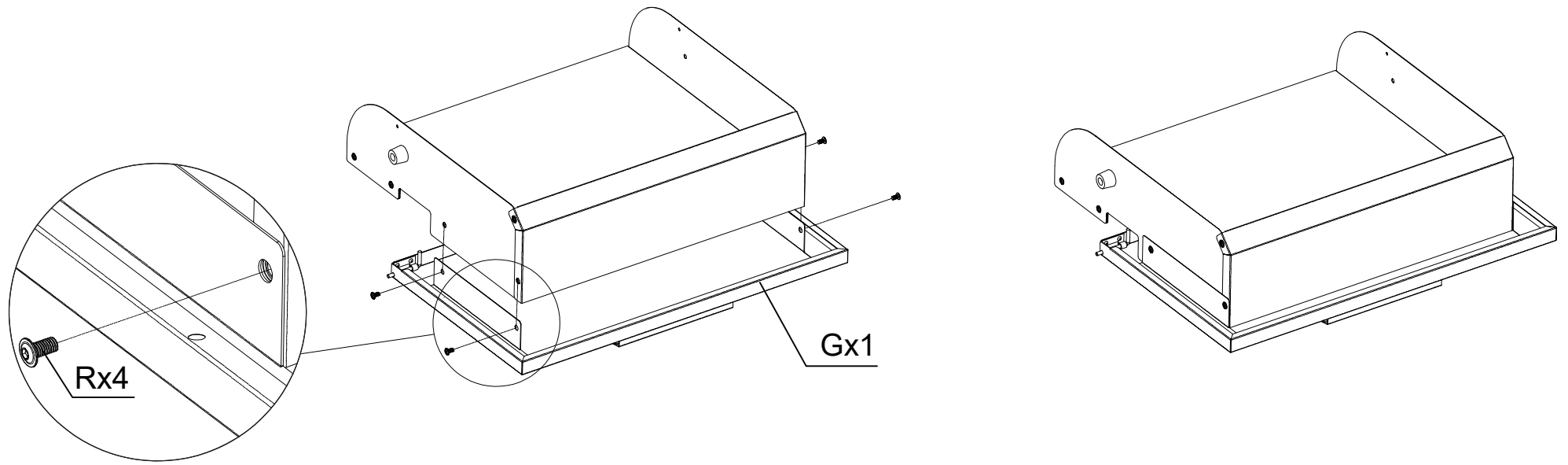
STEP 3



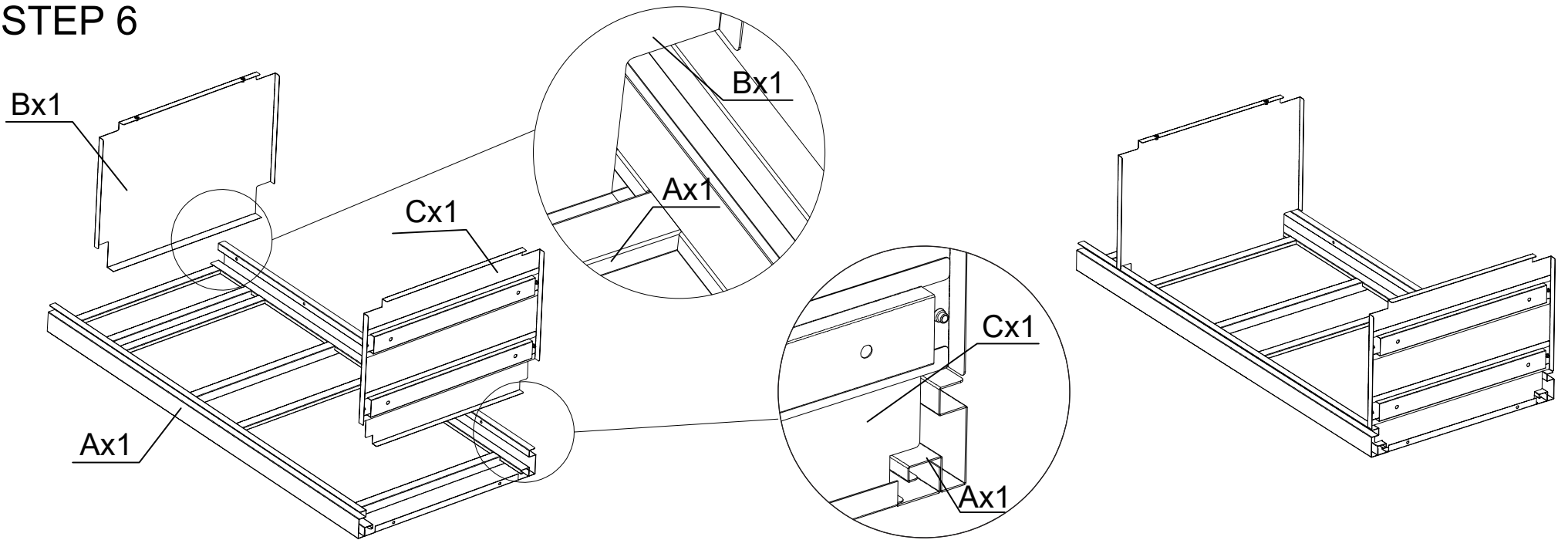
STEP 4



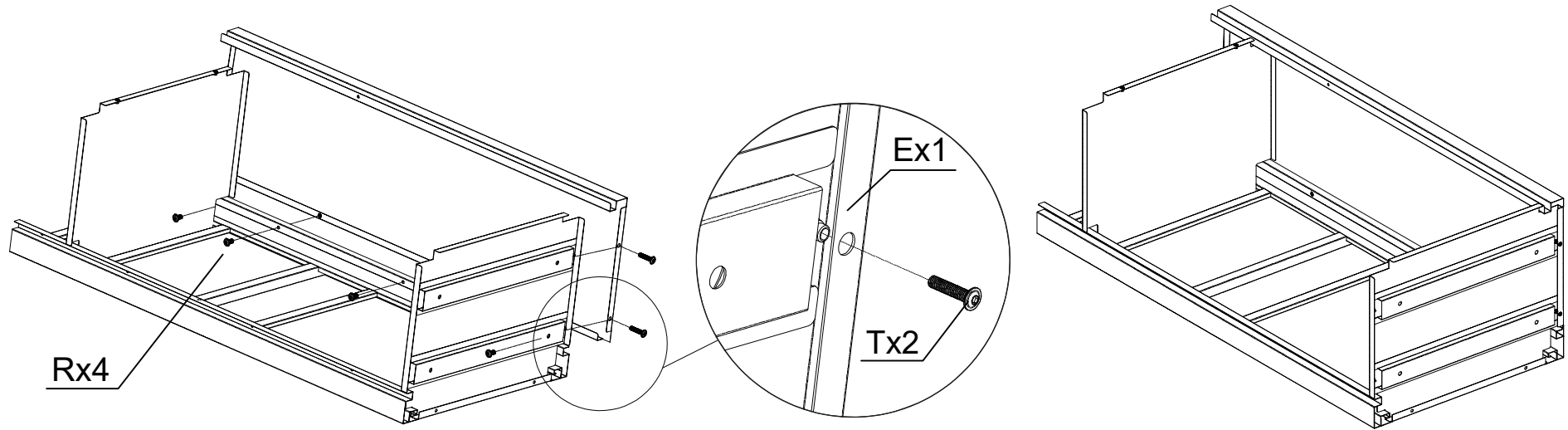
STEP 5



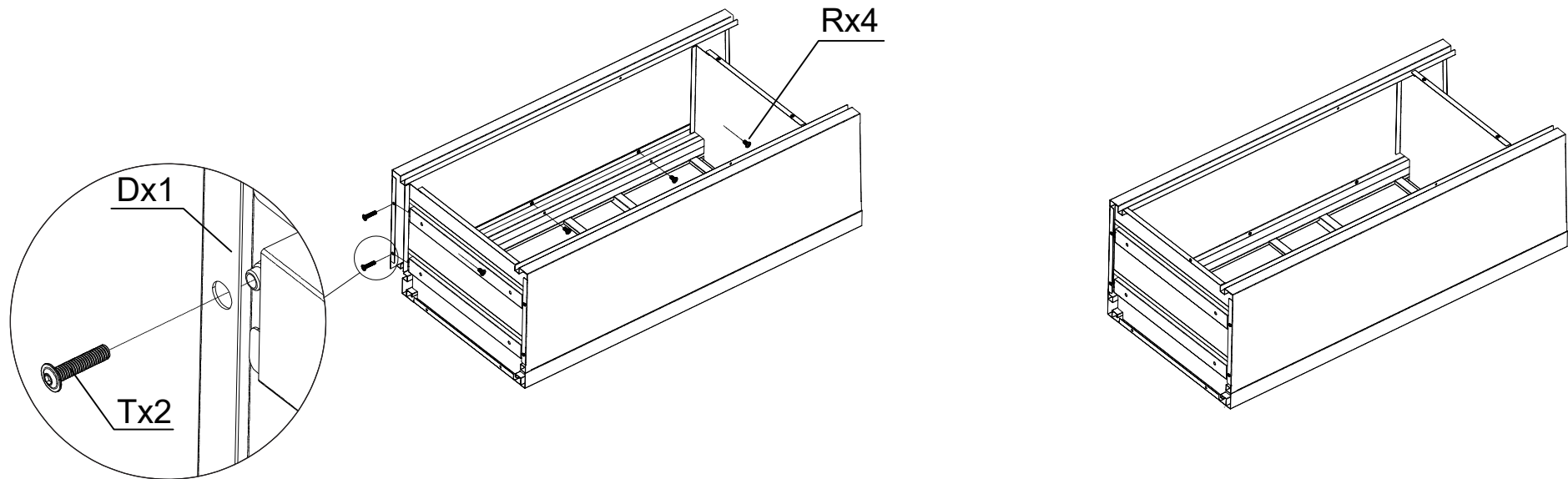
STEP 6



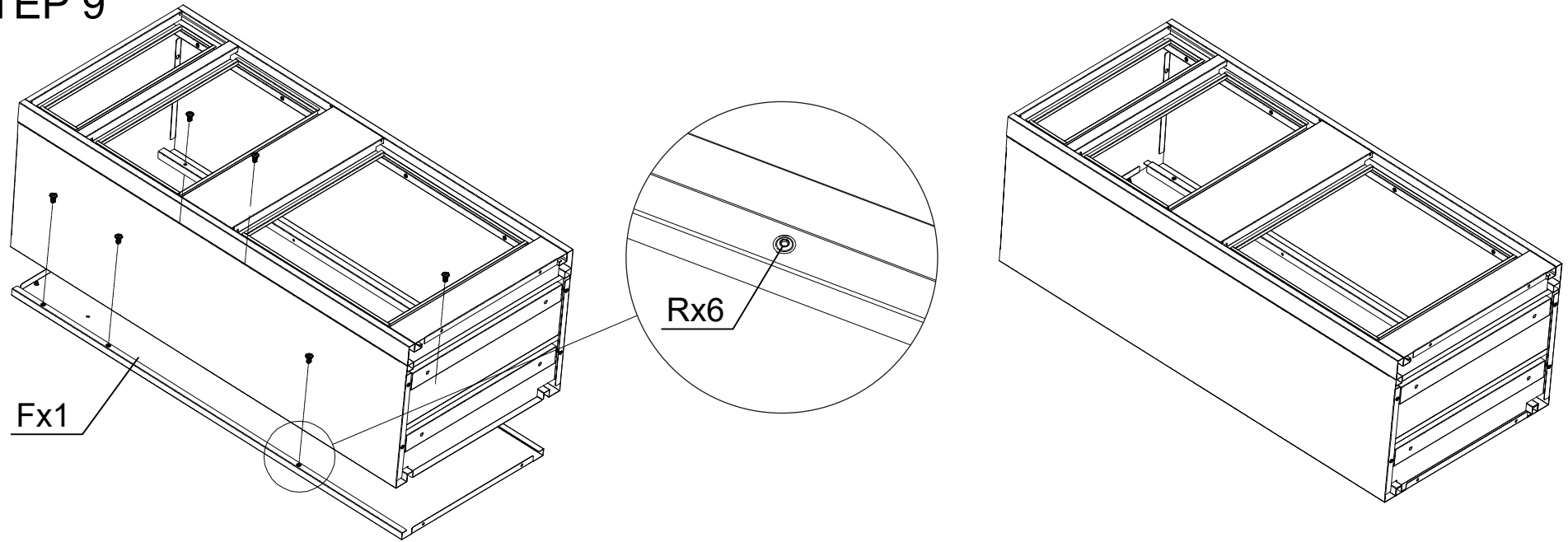
STEP 7



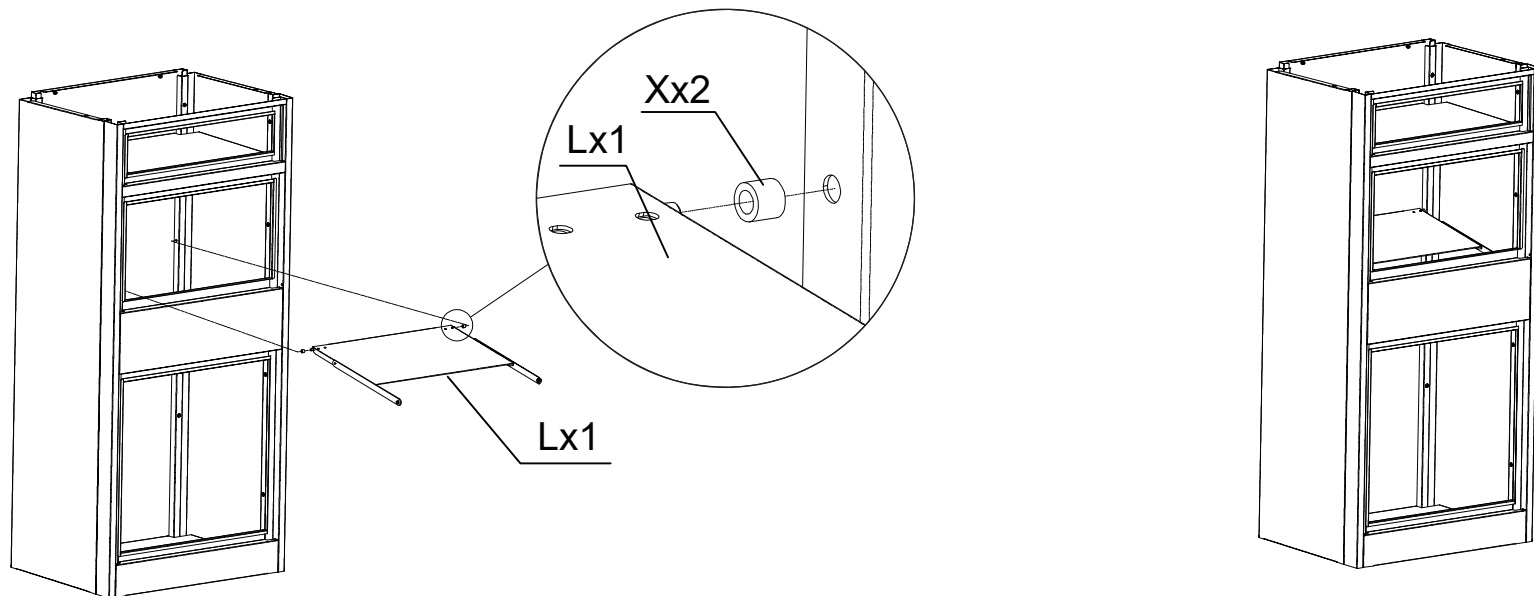
STEP 8



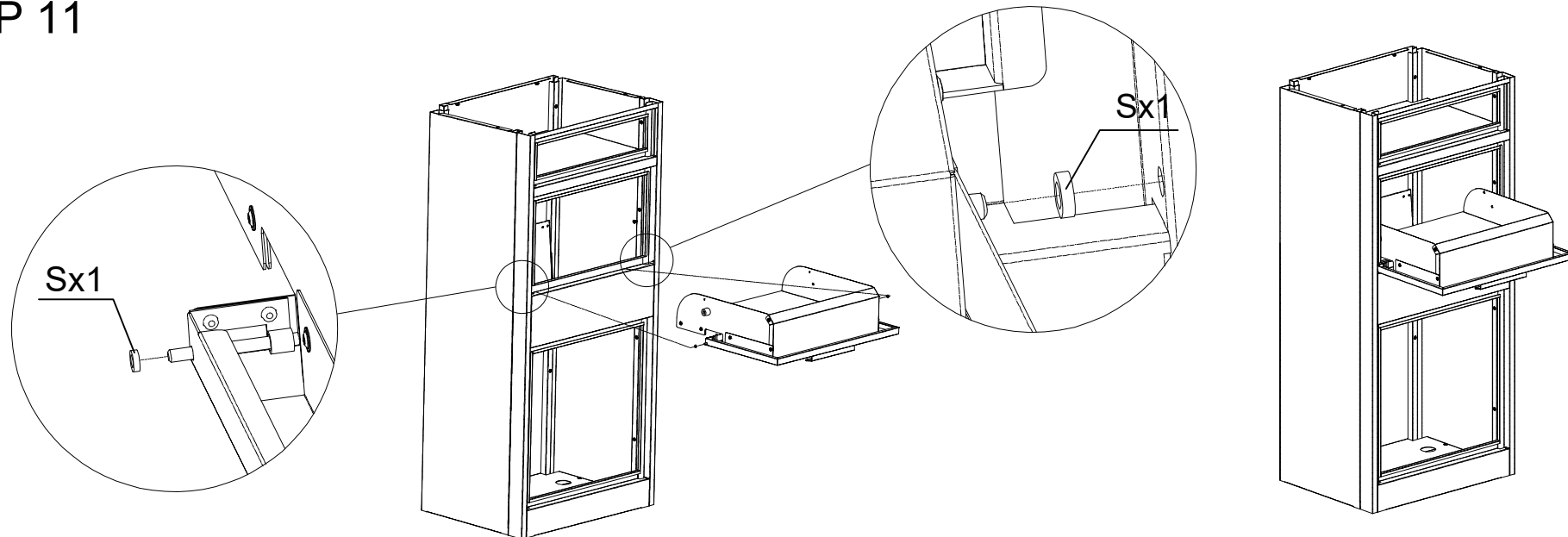
STEP 9



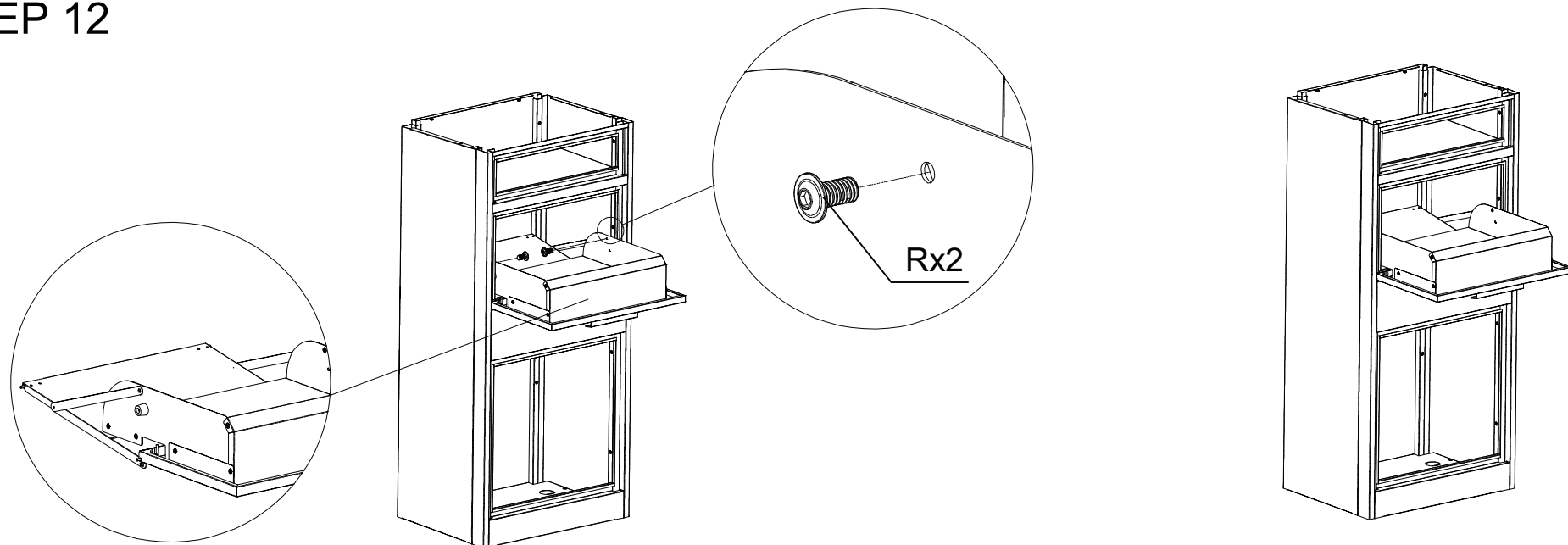
STEP 10



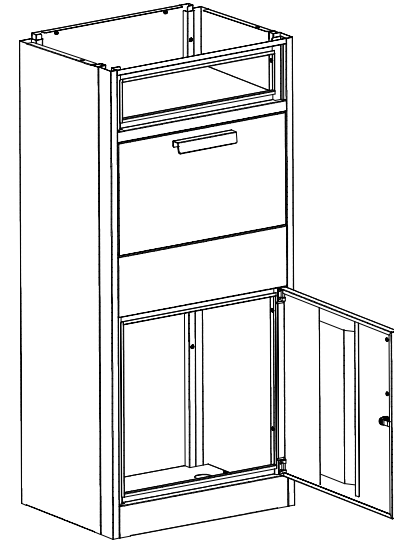
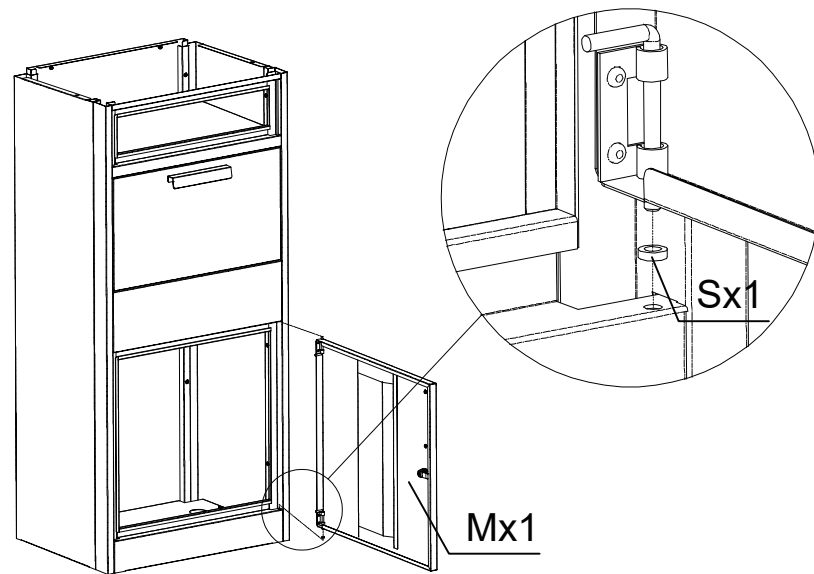
STEP 11



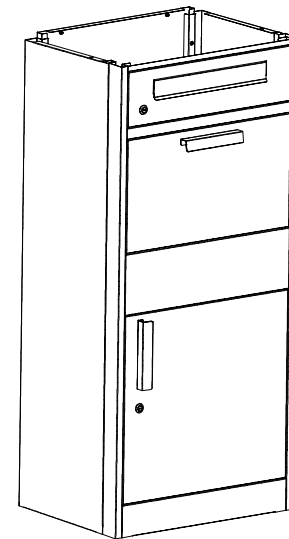
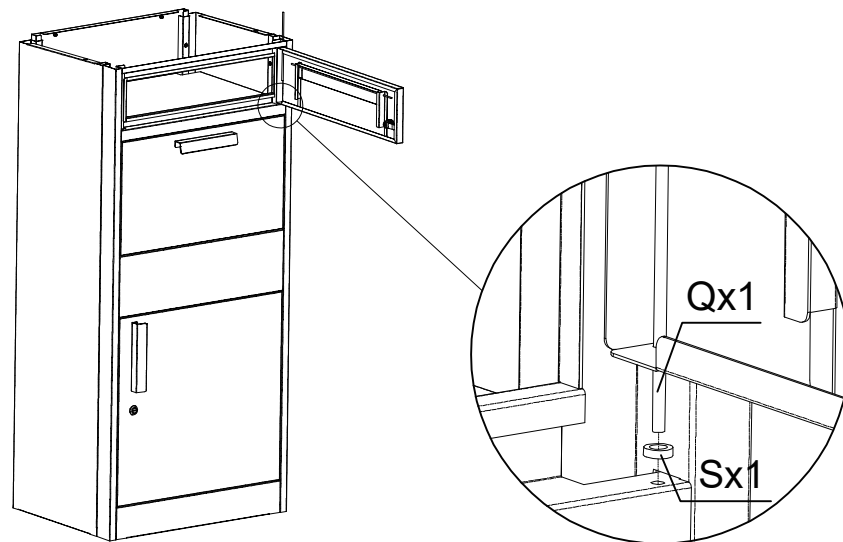
STEP 12



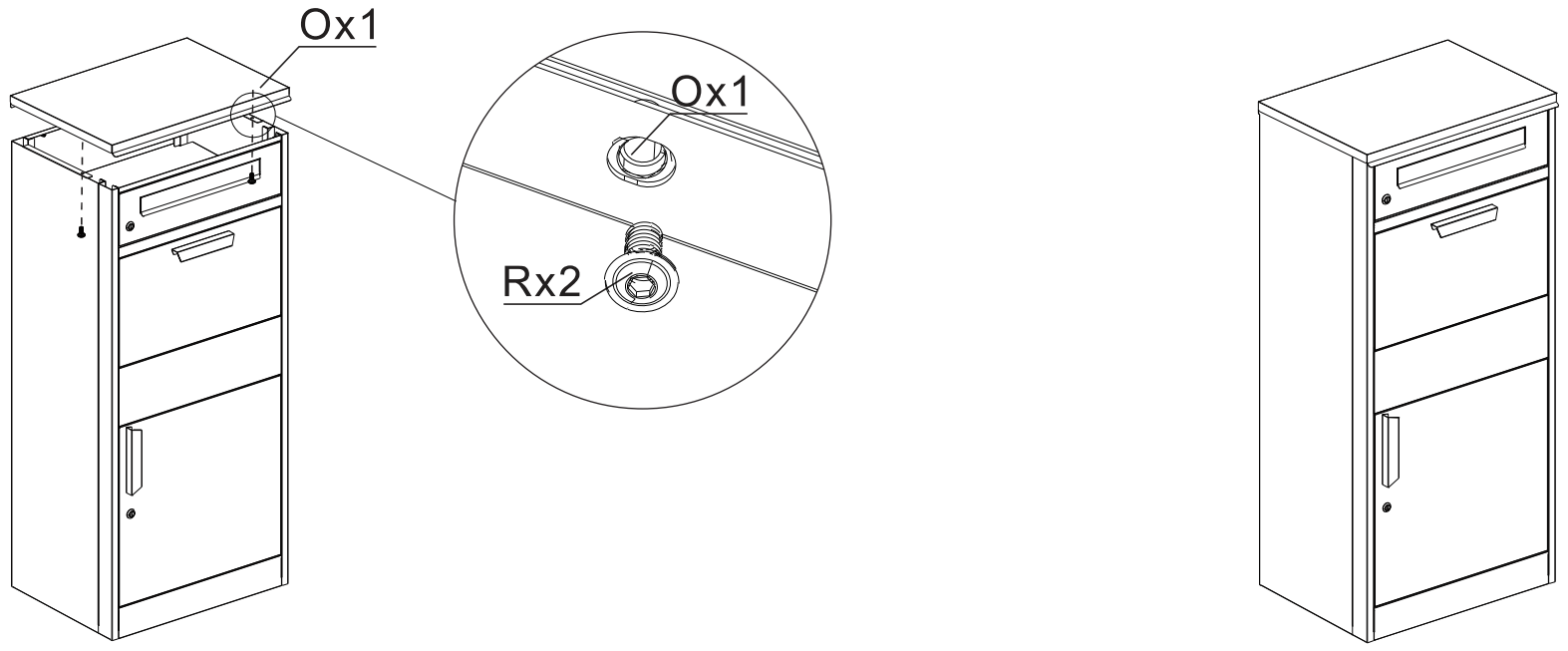
STEP 13



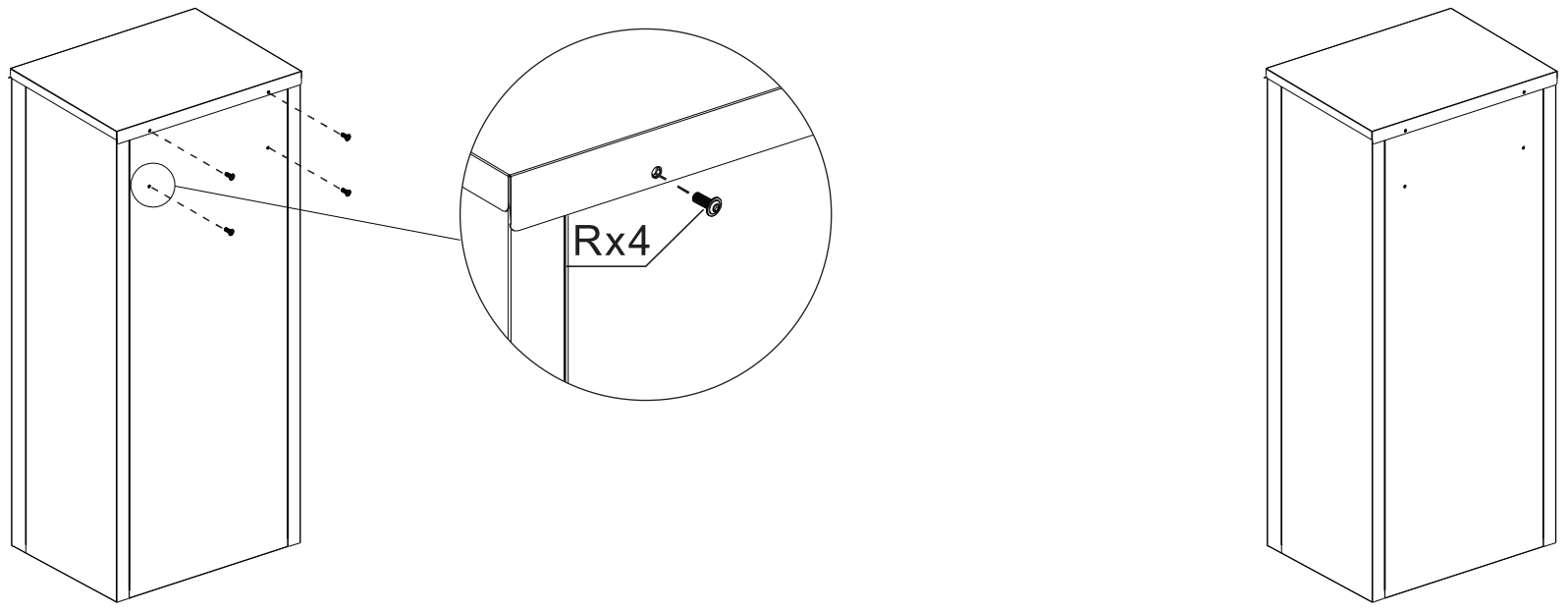
STEP 14



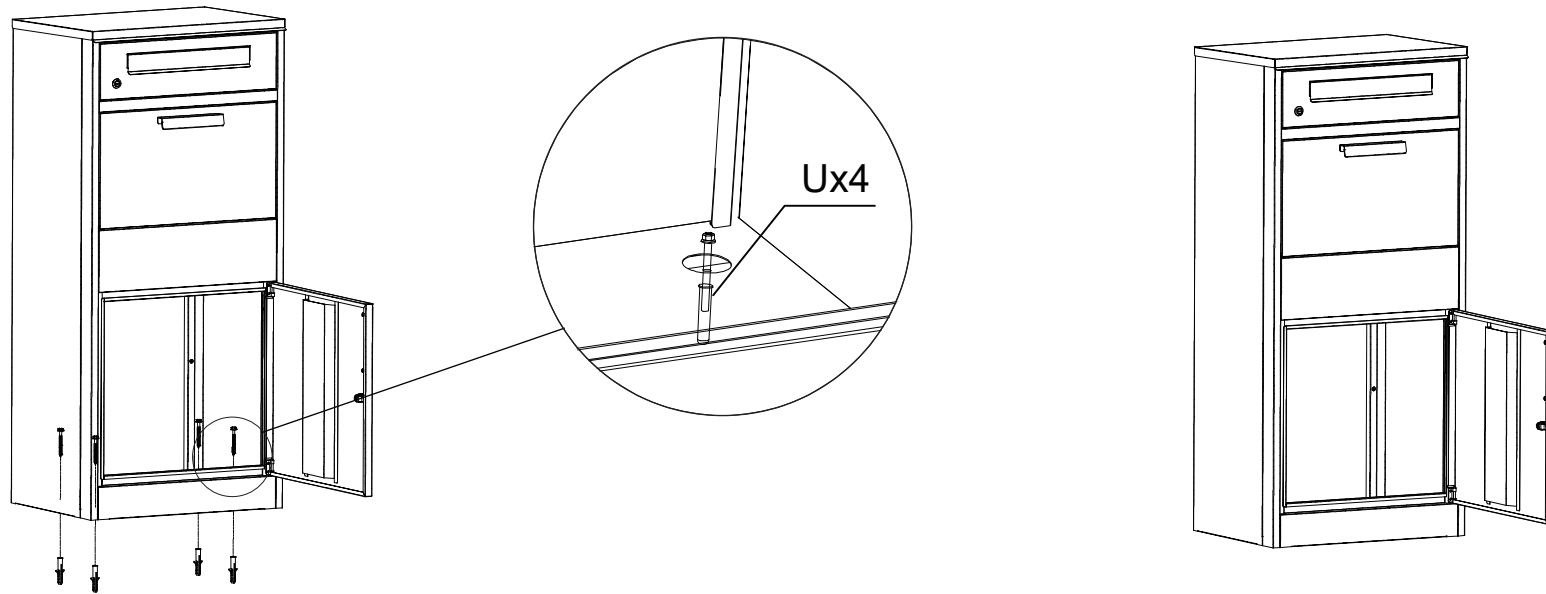
STEP15



STEP16



STEP 17



STEP 18

