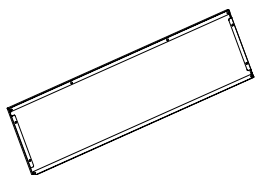


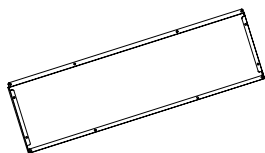
Ax6

① ②



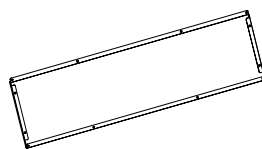
Bx6

① ②



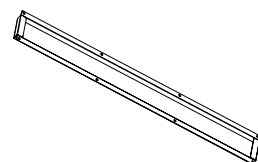
Cx6

① ②



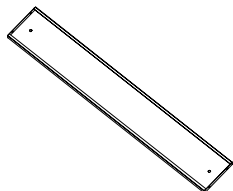
Dx2

① ②



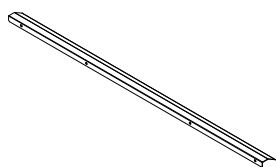
Ex2

③



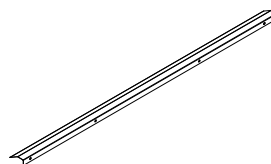
Fx2

③



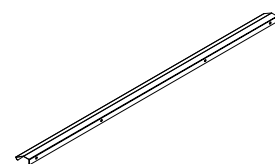
Gx2

③



Hx2

③



Ix2

③



Qx84

③



M4

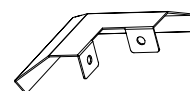
Ux4

③



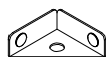
Vx4

③



Wx4

③



Xx84

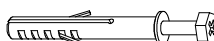
③



M4*14

Yx6

③



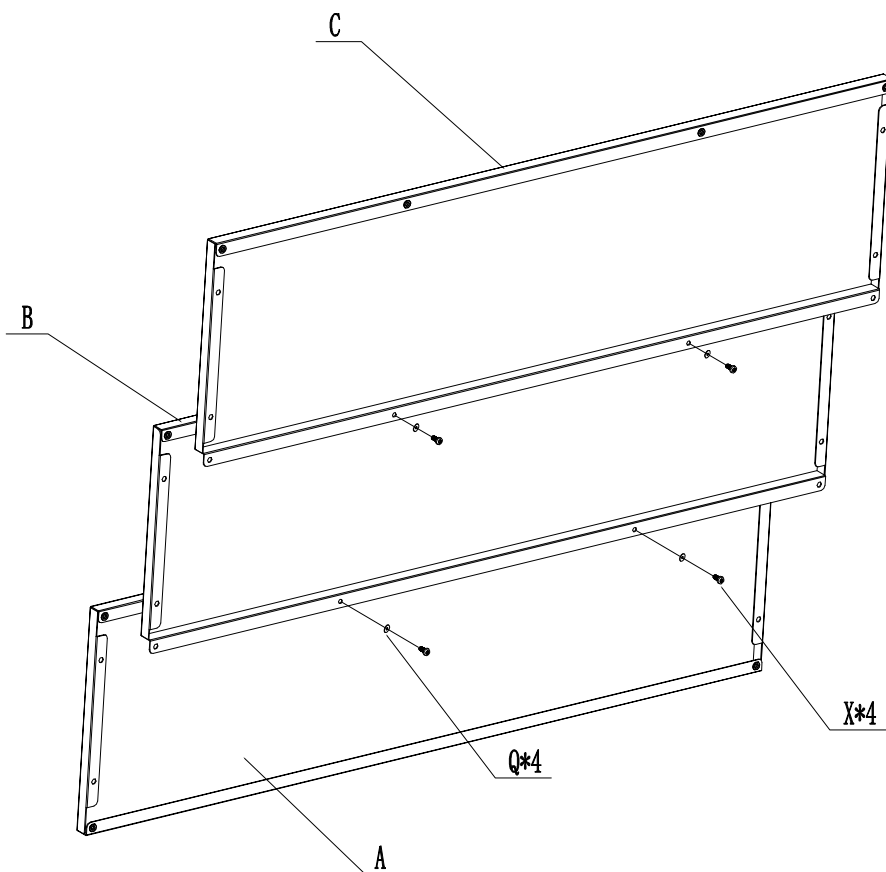
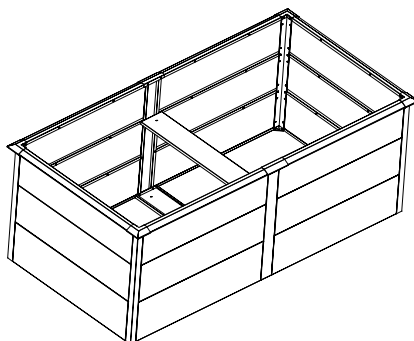
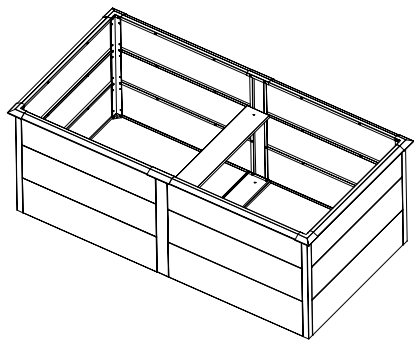
Zx1

③



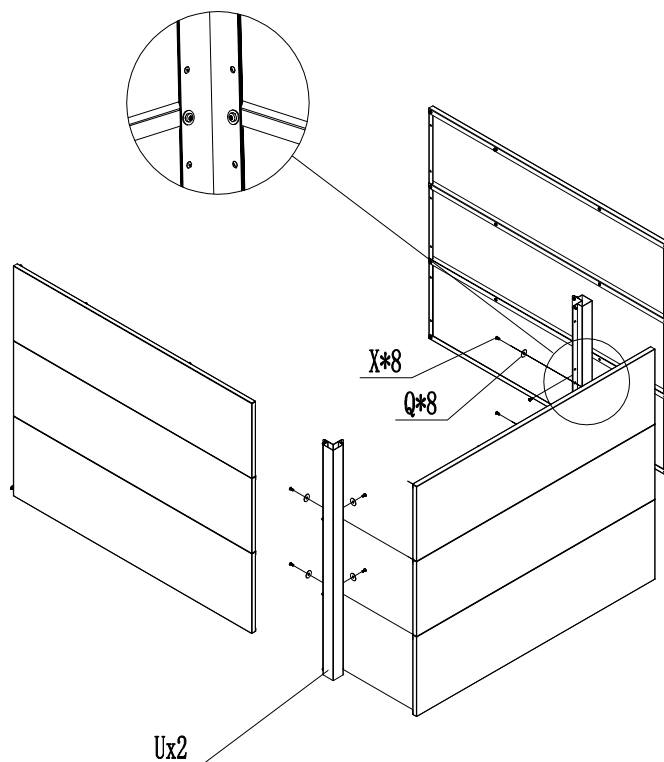
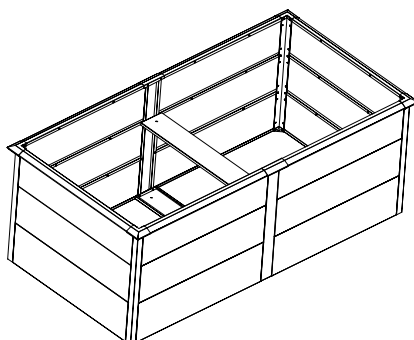
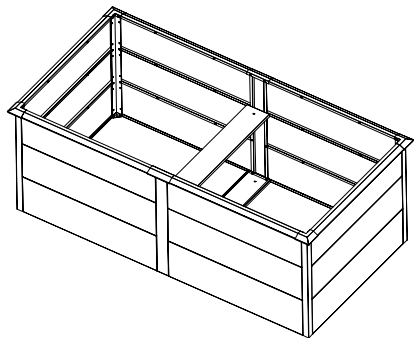
STEP1

x6



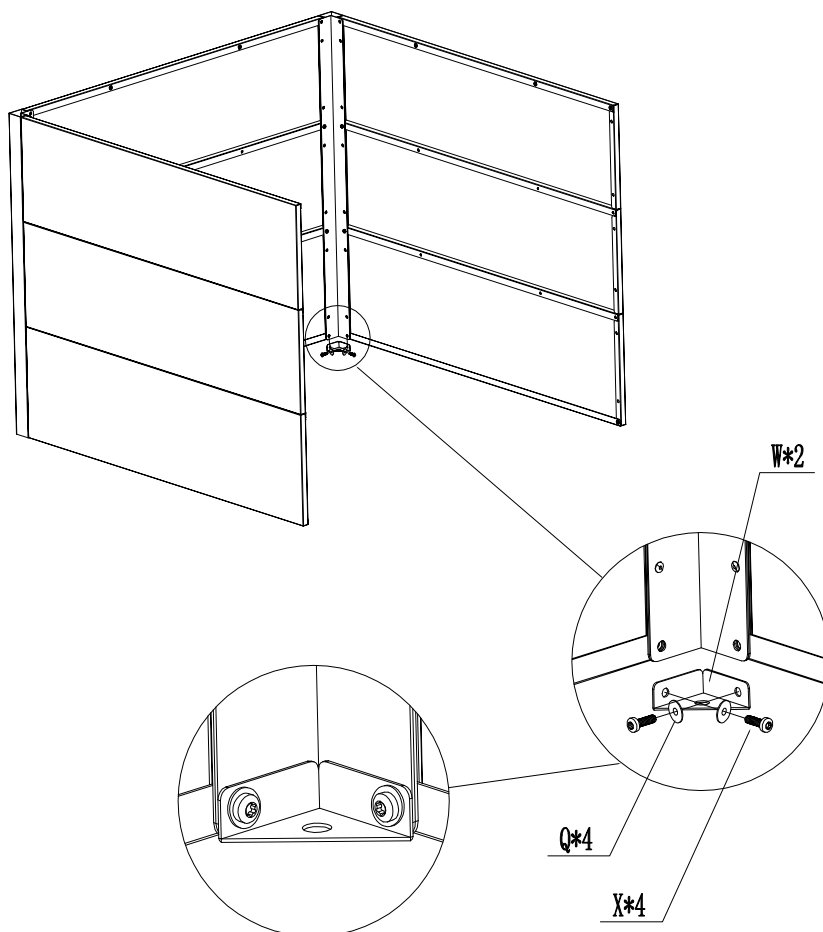
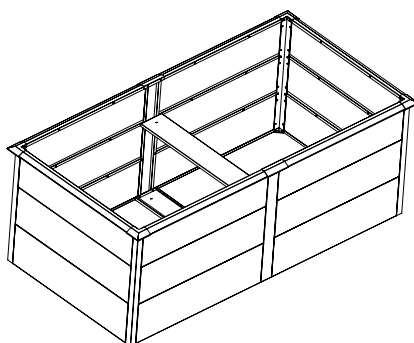
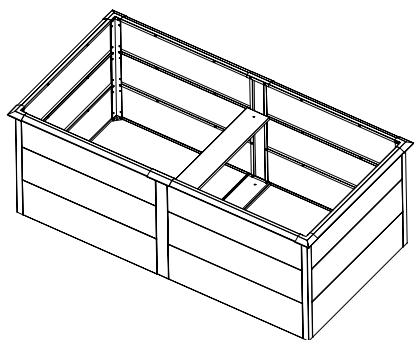
STEP2

x2



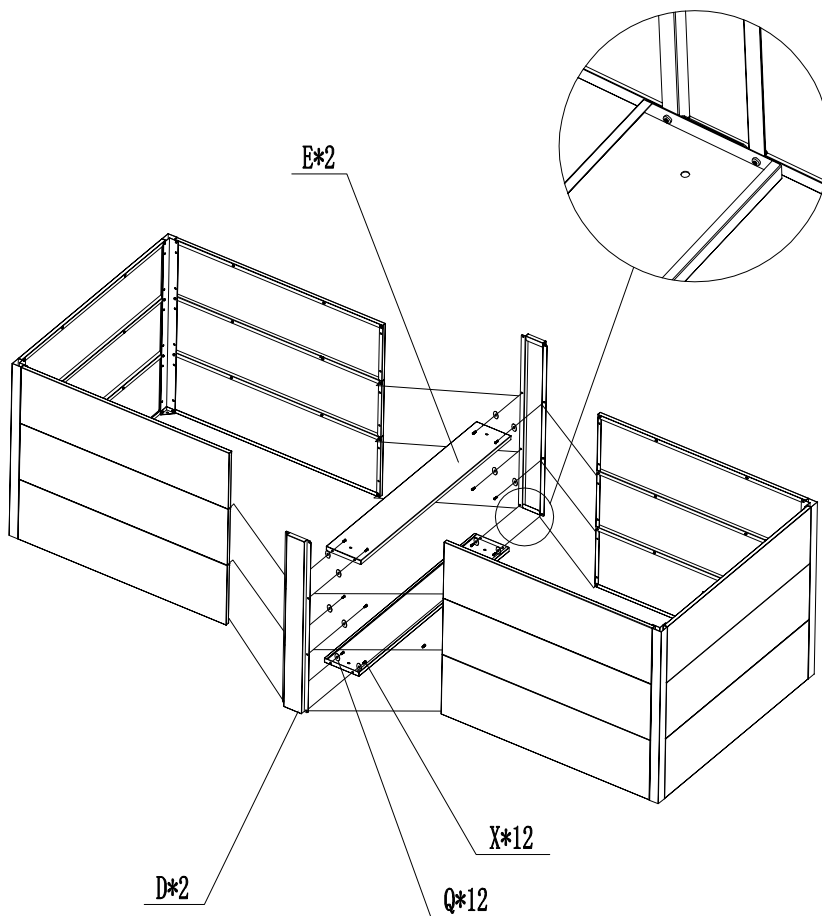
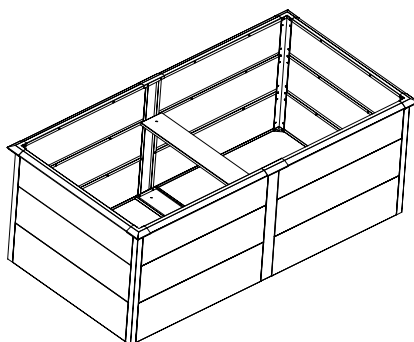
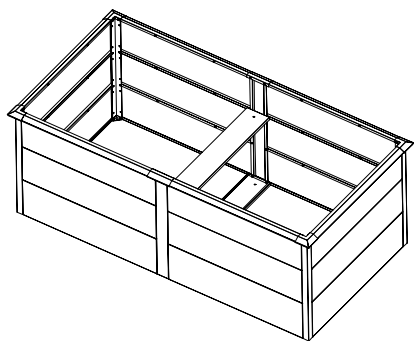
STEP3

x2



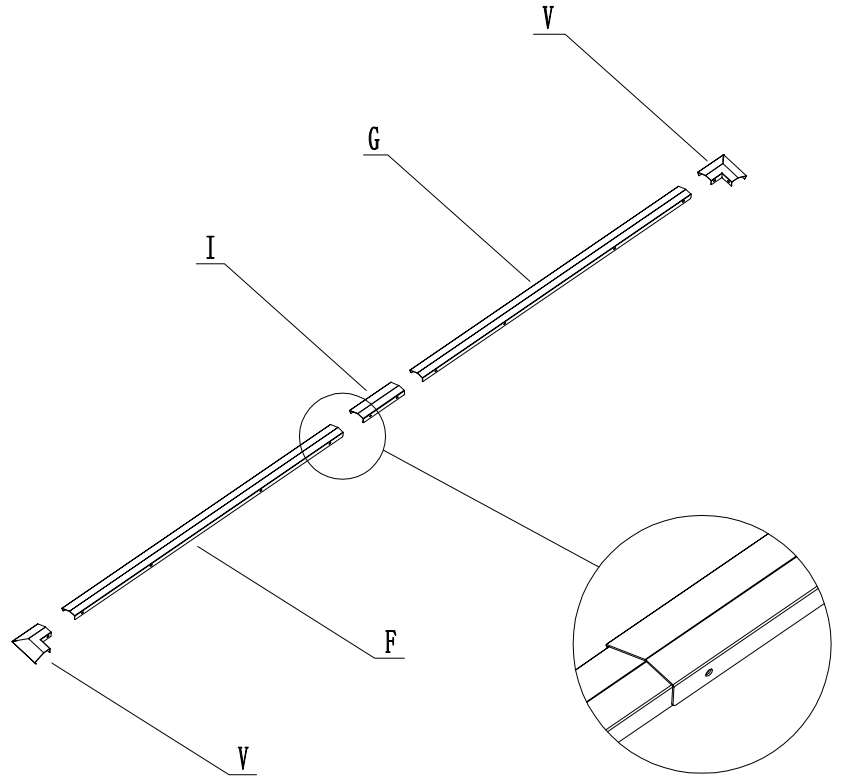
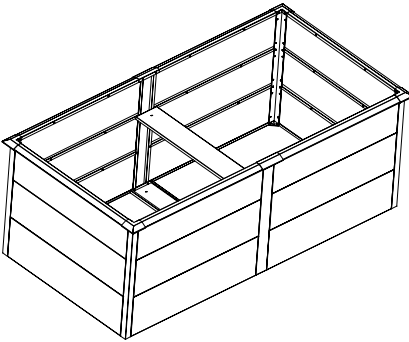
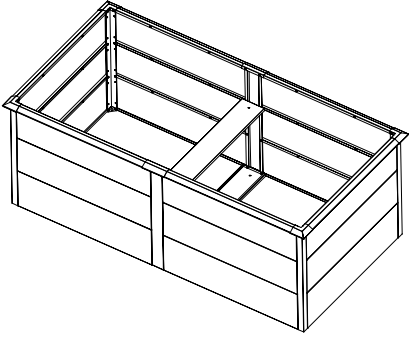
STEP4

x1



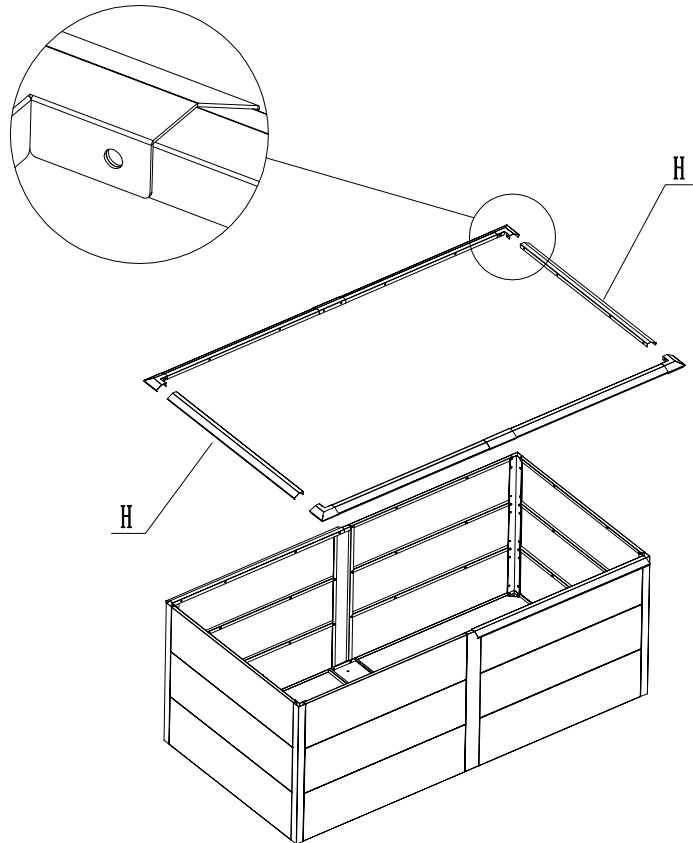
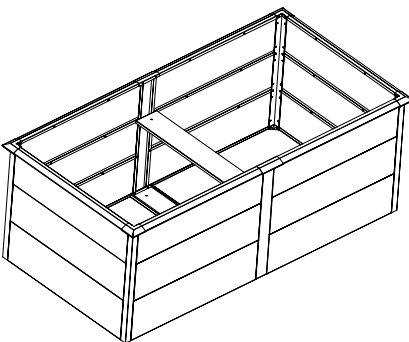
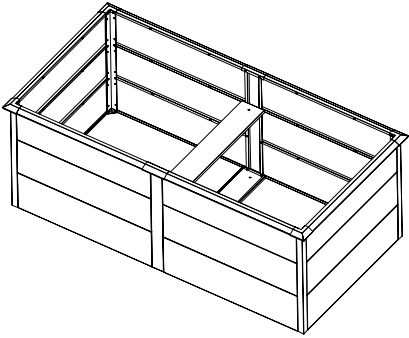
STEP5

x2



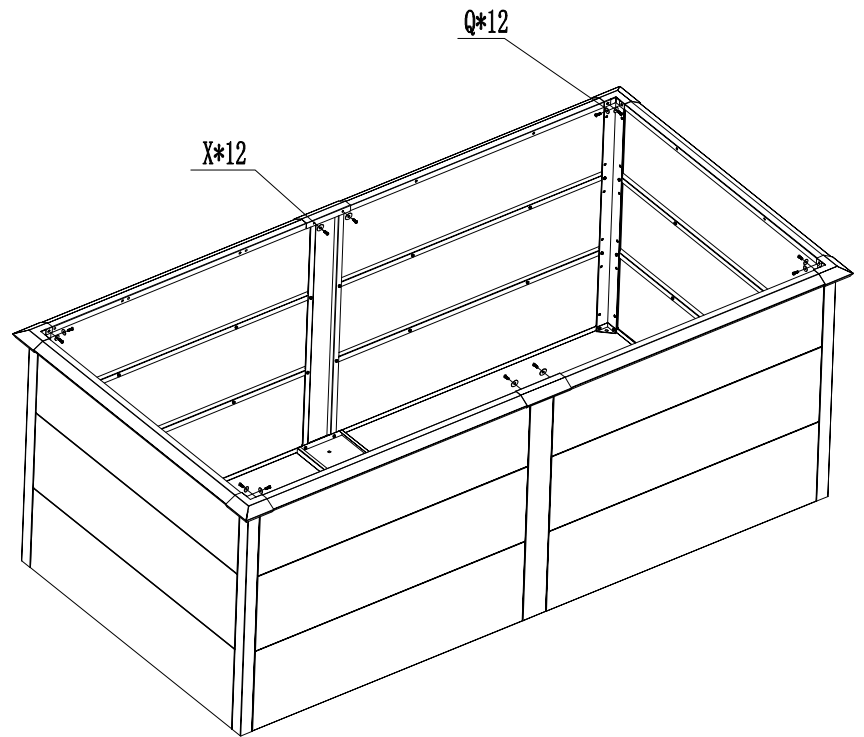
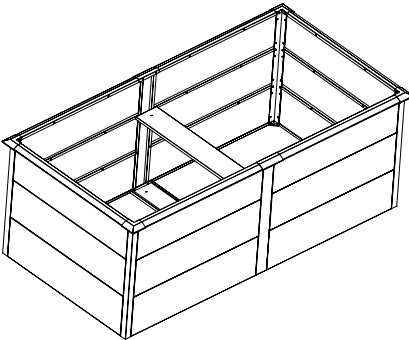
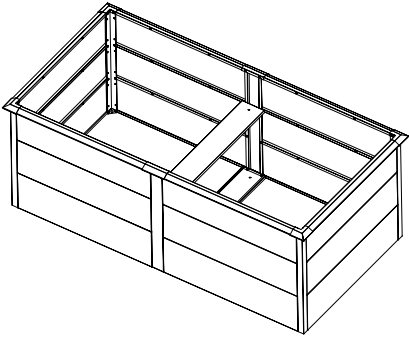
STEP6

x1



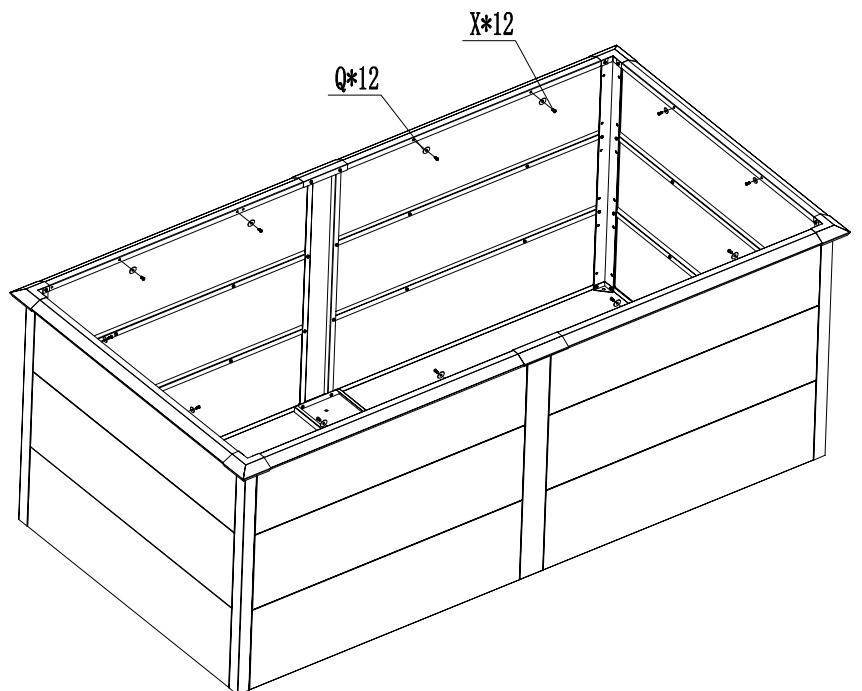
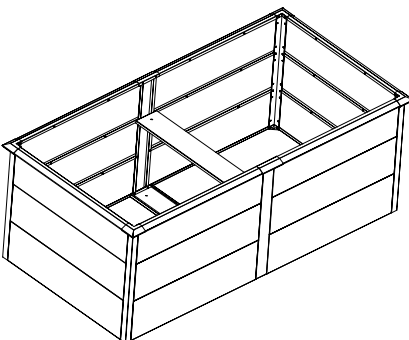
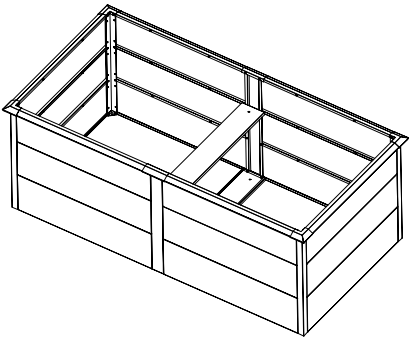
STEP7

x1



STEP8

x1



STEP9

x1

